

BULL®

THE LAST GRILL YOU'LL EVER BUY

CATALOGUE 2020





Department

Email

General Enquiries	info@bullbbq.eu
Technical Enquiries	service@bullbbq.eu
Accounts Enquiries	accounts@bullbbq.eu
Sales Enquiries	trade@bullbbq.eu
Documentation Enquiries	documentation@bullbbq.eu
Operations Enquiries	operations@bullbbq.eu
Marketing Enquiries	marketing@bullbbq.eu

Phones

General Enquiries	+356 9979 2077
Sales Enquiries	+44 (0) 7834 361170
Servicing Enquiries	+356 2279 2077



Bull Europe Limited Postal Address:

"Zamco Building" - Mill Street - Qormi - QRM3103 - Malta

ABOUT BULL

BECOME A
DEALER

BULL DEALER
LOCATION

RELIABULL



CONTACT INFO	PAGE 2
TABLE OF CONTENTS	PAGE 3
KNOW BULL	PAGE 4
BULL EUROPE TIMELINE	PAGE 5
WHY BULL?	PAGE 6-7
BULL GRILLS	PAGE 8-25
OVERVIEW	PAGE 9
CARTS / BUILT-IN	PAGE 10-21
GRILL ENHANCEMENTS	PAGE 22-23
COVERS	PAGE 24-25
BULL PIZZA OVENS	PAGE 26-31
PIZZA OVENS	PAGE 27-30
COVERS	PAGE 31
COMPONENTS	PAGE 32-45
OUTDOOR KITCHENS	PAGE 46-61
OUTDOOR BARS	PAGE 62-63
OUTDOOR FIRE TABLES	PAGE 64
OUTDOOR KITCHEN FINISHES	PAGE 65-67
PIZZA ACCESSORIES	PAGE 68-69
GRILLING ACCESSORIES	PAGE 70-79
CARE AND MAINTANANCE	PAGE 80-82
PROMOTIONAL ITEMS	PAGE 83



For most people, tinkering with and testing an open flame grill in your garage is not a good idea. But Mark Nureddine is not most people. And his efforts with a grill in a closed environment were the genesis to a company that would become one of the leading manufacturers of grill islands in the world. Under Nureddine's direction and leadership for almost three decades, Bull Outdoor Products has grown to provide grills, islands and accessories to over 900 dealers and distributors throughout North America, as well as 15 countries. From a garage to countless backyards around the world, Bull Outdoor Products are now the gold standard when it comes to unBulleivable outdoor cooking.



Bull Outdoor Products President, Mark Nureddine

KNOW QUALITY

Bull's award-winning grills are designed, engineered, and master-crafted to meet certifications from CSA and CE, which means anyone with a Bull grill can take comfort in knowing that they're cooking with the highest quality, premium grill on the market.

KNOW COMMITMENT

It's not enough to just say you're committed, Bull backs it up. From the 304-2mm stainless steel used on every grill to the Lifetime Warranty* that covers fire boxes and cooking grates, Bull is committed to going the extra mile to provide you the ultimate outdoor cooking experience.

KNOW SERVICE

Strong continuing growth has led to the new Bull Global Headquarter in Lodi, CA. This 50,000 sq. ft. stocking warehouse/showroom increases Bull's footprint in the western states, and compliments Bull's production/service facilities in Rialto, CA and Athens, TN.

Bull provides a premium outdoor cooking experience that is manufactured with the highest quality materials. Bull maintains a complete in-house parts department with knowledgeable specialists available to answer any question imaginable. When you purchase a Bull Outdoor product, not only will you know it is made with expert precision, but you'll have Bull's dependable and responsive service department waiting to assist you.

Fact is, when you purchase a premium Bull grill, you're getting a commitment to the highest-quality product and reliable service in the market. Period. Our grills and components are built to last a lifetime and that's why we guarantee that your Bull grill will be the last one you ever purchase.

** Specific warranty details provided with each Bull product*

And that's exactly why we say ...

Know Bull.



Bull Outdoor Products Inc.



- 2013 — An A.G. investments subsidiary, AGP Systems Ltd. of A.G. becomes the 1st Bull active dealer in Malta. Established since 1995 and having gathered extensive experience in design, installation and servicing of catering equipment, the Bull brand quickly made its way into the Maltese market. Bull Inc. were encouraged to invest in an European Distribution Project.
- 2014 — The two companies meet for the 1st time in Bull HQ, Rialto CA. An agreement was reached to set up a Distribution hub jointly to serve the EMEA region. As Bull are renowned for their Deliverable Quality Outdoor Kitchens, the construction of these was undertaken by the manufacturing arm of the AGI Group in Malta, Zamco Caterware Ltd. (Est.1975). It's existing plant in Malta and experience in the industry, could guarantee that Bull Outdoor Kitchens produced would be up to the standard expected from the Bull brand.
- 2015 — **Bull Europe was established.**
 The Bull Outdoor Kitchens Team in Malta manufactured it's first Outdoor Kitchens. The Deliverable Outdoor Kitchen concept was a huge success and a numberable standard and custom kitchens were installed in various locations in Malta.
 Bull Europe sponsors the Duke of Edinburgh Award and is presented a recognition award in the presence of HRH The Duke of Edinburgh.
 Bull Europe hosts the first group of candidate Authorised Dealers from Europe in Malta. Many Dealers sign up immediately.
- 2016 — Extensive changes were made to the CE grills and new components were developed by Bull for the EMEA markets.
 Bull Europe sets up at Spoga Gafa in Cologne for the 1st time. Bull was the only booth presenting the Plug & Play Outdoor Kitchen Concept. This gave the company a huge boost and helped the European Distribution Network grow very rapidly.
- 2017 — The Bull Team in Malta mastered the art of working with Solid Ceramic Large format tile known as Gres and are able to clad entire Outdoor Kitchen Counters and Bases.
EMEA Sales Doubled.
- 2018 — In Spoga Gafa 2018, Bull Europe amazed visitors with it's contemporary European style finishes. Bull Europe's distribution network expanded to 25 countries with 11 distributors and over 80 dealers throughout the EMEA.
 Warehousing facilities in Malta increased to 1000 sq. mts.
- 2019 — The Bull Europe Team is enhanced with substantial investment in human resources on the manufacturing floor, logistics, sales, marketing and after-sales service. The Outdoor Kitchen manufacturing facility is doubled in area to cope with the increasing demand.



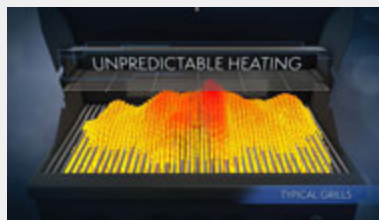
RELIABULL

TECHNOLOGY BY BULL OUTDOOR PRODUCTS

When you buy a grill, don't you think you should be able to use the whole thing? At Bull Outdoor, we think so. That's why, with the help of the engineering experts at California Polytechnic, we created the ReliaBULL technology.

A TYPICAL GRILL:

Typical grills feature unpredictable heating across the surface.



WITH OUR RELIABULL TECHNOLOGY:

We have eliminated uneven heating on your grill, making your outdoor grilling experience extraordinary.



This new technology improves heat distribution on your grill by 50%.

**The ReliaBULL flame tamers create a more even grilling surface,
eliminating hot and cold spots,
so that you can use your entire grilling surface.**



TAKE A CLOSE LOOK AT THE LAST GRILL HEAD YOU WILL EVER PURCHASE



ANGUS GRILL HEAD



Bull is so confident in its fabulous line-up of premium outdoor grills that Lifetime Warranties* come standard on all fire boxes, cooking grates and on all cast stainless steel burners.











With ten durable grill heads to choose from, Bull has the perfect grill just for you.

* Specific warranty details provided with each Bull product.



BULL GRILLS



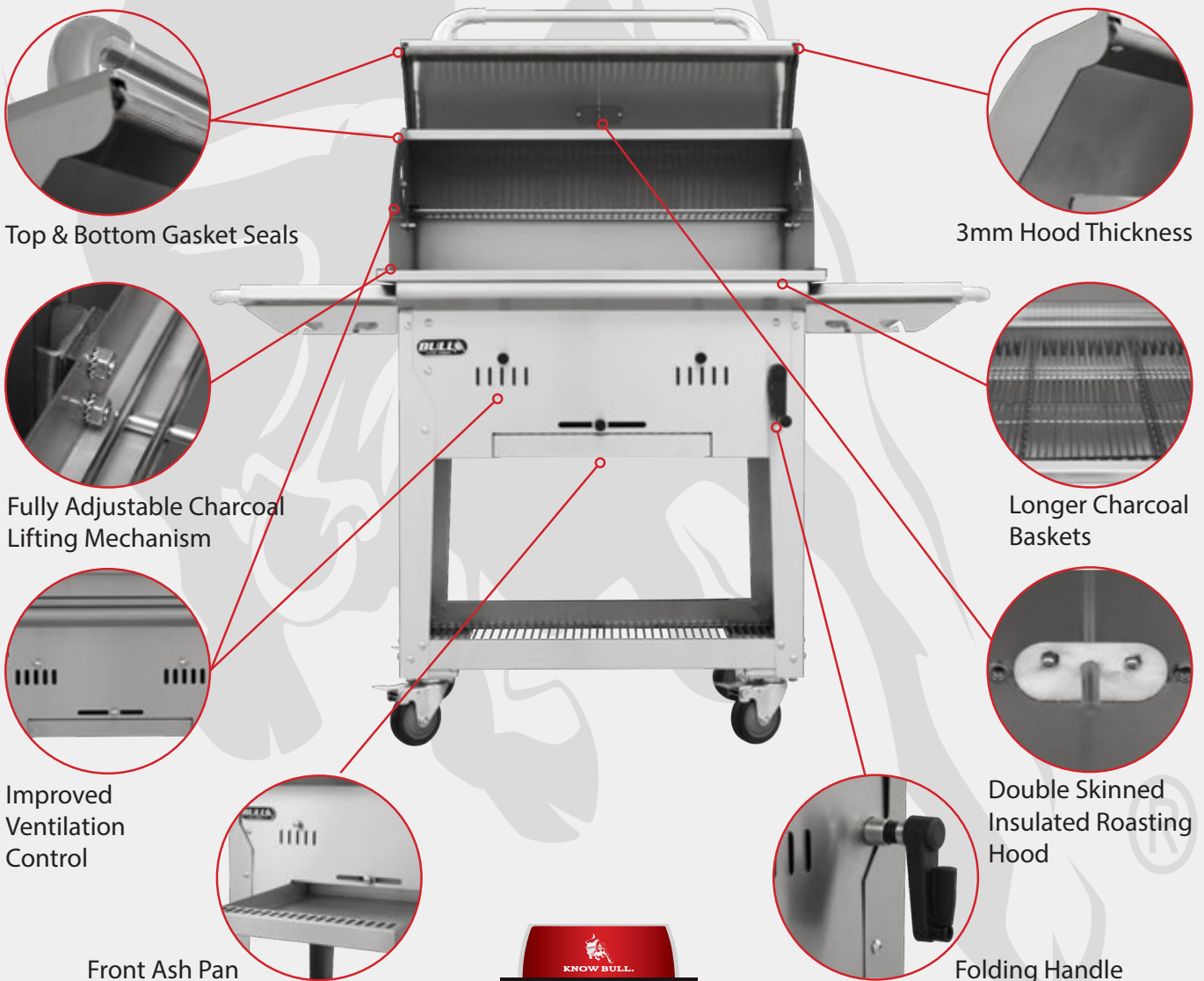
				
STANDARD FEATURES	BISON	PLANCHA	STEER	LONESTAR
Cooking Power -kWh	Charcoal	13.00 kWh	13.00 kWh	17.60 kWh
Burners		3 - Welded S/Steel Bar Burners	3 - Welded S/Steel Bar Burners	4 - Welded S/Steel Bar Burners
Rotisserie Kit	✗	✗	✗	✗
Cast Stainless Steel Double Side Burners	✗	Optional #60010CE Side Kick Side Burner	Optional #60010CE Side Kick Side Burner	Optional #60010CE Side Kick Side Burner
Stainless Steel 304 Gauge	1.70-3.00mm	1.60mm	1.60mm	2.00mm
Solid Stainless Steel Grates	✓	Chromium Plated Griddle	✓	✓
Lights	✗	✗	✗	✓
Lower Cooking Surface Upper Cooking Rack	76cm x 49cm 76cm x 18cm	57cm x 44cm	60cm x 49cm 60cm x 18cm	76cm x 49cm 76cm x 18cm
				
STANDARD FEATURES	ANGUS	BRAHMA	DIABLO	7 BURNER
Cooking Power -kWh	22.00 kWh	26.40 kWh	31.00 kWh	31.00 kWh
Burners	4 - Cast S/Steel Bar Burners	5 - Cast S/Steel Bar Burners	6 - Cast S/Steel Bar Burners	4 - Cast S/Steel Bar Burners
Rotisserie Kit	✓	✓	✓	✓
Cast Stainless Steel Double Side Burners	Optional #60010CE Side Kick Side Burner	Optional #60010CE Side Kick Side Burner	Optional #60010CE Side Kick Side Burner	✓
Stainless Steel 304 Gauge	2.00mm	2.00mm	2.00mm	2.00mm
Solid Stainless Steel Grates	✓	✓	✓	✓
Lights	✓	✓	✓	✓
Lower Cooking Surface Upper Cooking Rack	76cm x 49cm 76cm x 18cm	97cm x 49cm 97cm x 18cm	115cm x 49cm 115cm x 18cm	76cm x 49cm 76cm x 18cm





NEW BISON CHARCOAL GRILL

The New Bison Charcoal Grill has been totally re-engineered for greater performance. The new air vent system and gasket features allows for even greater temperature control with the ability to precisely regulate the oxygen flow into the firebox. The brand new roasting hood is now insulated to achieve greater temperature stability. Now you can set up the Bull Bison for slow and low cooking, or crank it up to get that steak house quality sear on your steaks and chops.



BISON CHARCOAL CART



BISON CHARCOAL BUILT-IN



Standard Features	
Bison Cart	#88000
Bison Built - In	#88787
Recommended Use	Commercial Residential
Cooking Power-kWh	Charcoal
Burners	✘
Infrared Back Burner	✘
Cast Stainless Steel Double Side Burners	✘
Piezo Igniter	✘
Zinc Knobs	✘
Stainless Steel 304 Gauge	3.00 mm
Single Piece SS Dual Lined Hood	✓
Solid Stainless Steel Grates	✓
Heavy Duty Thermometer	✓
Solid S/Steel Warming Rack	✓
Stainless Steel Rotisserie Motor	✘
Stainless Steel Grease Tray	✘
Stainless Steel Side Shelves	✓
Twin Lighting System	✘
SS 304 Double Door Storage Cart	✘
SS 304 Door/Drawer Storage Cart	✘
Heavy Duty Castors	✓
CSA Certified	✓
CE Certified	✓
Lower Cooking Surface	76 x 49 cm
Upper Cooking Surface	76 x 18 cm
Warranty Details	
Fire Box & Roasting Hood	Lifetime
Cooking Grates	Lifetime
Burners	✘
Flame Tamers	✘
Grill	Packing Dimensions
Grill Carton Length	87 cm
Grill Carton Width	70 cm
Grill Carton Height	73.5 cm
Grill Carton Cube	0.45 M ³
Grill Carton Weight	57.00 Kg
Cart Bottom	Packing Dimensions
Cart Carton Length	80 cm
Cart Carton Width	53 cm
Cart Carton Height	18 cm
Cart Carton Cube	0.76 M ³
Cart Carton Weight	20.00 Kg

The Bison Grill is constructed of high quality 304 stainless steel, the Bison has an adjustable charcoal basket to set the level of direct heat when grilling. There is a distinct flavour you can only get when using charcoal and along with the Bison and Bull's Competition Blend Charcoal (#66538 sold separately) you can achieve that authentic backyard BBQ taste that will make you the grill master in your neighbourhood.



STEER CART



STEER BUILT-IN



Standard Features	
Steer Cart	#69101CE-LPG #69102CE-NG
Steer Built - In	#69008CE-LPG #69009CE-NG
Recommended Use	Commercial Residential
Cooking Power-kWh	13.00 kWh
Burners	3-Welded S/Steel Bar Burners
Infrared Back Burner	✗
Cast Stainless Steel Double Side Burners	Optional #60010CE Side Kick Side Burner
Piezo Igniter	✓
Zinc Knobs	✓
Stainless Steel 304 Gauge	1.60 mm
Single Piece SS Dual Lined Hood	✓
Solid Stainless Steel Grates	✓
Heavy Duty Thermometer	✓
Solid S/Steel Warming Rack	✓
Stainless Steel Rotisserie Motor	✗
Stainless Steel Grease Tray	✓
Stainless Steel Side Shelves	✓
Twin Lighting System	✗
SS 304 Double Door Storage Cart	✓
SS 304 Door/drawer Storage Cart	✗
Heavy Duty Castors	✓
CSA Certified	✓
CE Certified	✓
Lower Cooking Surface	60 x 49 cm
Upper Cooking Surface	60 x 18 cm
Warranty Details	
Fire Box & Roasting Hood	Lifetime
Cooking Grates	Lifetime
Burners	5 Years
Flame Tamers	5 Years
Grill	Packing Dimensions
Grill Carton Length	70 cm
Grill Carton Width	63 cm
Grill Carton Height	62 cm
Grill Carton Cube	0.27 M ³
Grill Carton Weight	43.00 Kg
Cart Bottom	Packing Dimensions
Cart Carton Length	56 cm
Cart Carton Width	58 cm
Cart Carton Height	69 cm
Cart Carton Cube	0.22 M ³
Cart Carton Weight	28.00 Kg

The Steer Grill Cart has doors in the front that allow easy access to your propane tank or other items you want to store. It also provides adequate food preparation space on s/steel shelves on either side of the grill.

PLANCHA CART



PLANCHA BUILT-IN



The Bull Commercial Style Stainless Steel Griddle is a perfect addition to your outdoor kitchen. A chromium plated cook top sits upon three stainless steel burners that pump out 13 kWh of cooking power. From fajitas to pancakes, the food preparation possibilities are virtually endless.

Standard Features	
Plancha Grill Cart	#73008CE-LPG #73009CE-NG
Requires #97021Cart Conversion Kit	
Plancha/Griddle Built-in	#97008CE-LPG #97009CE-NG
Recommended Use	Commercial Residential
Cooking Power-kWh	13.00 kWh
Burners	3-Welded S/Steel Bar Burners
Infrared Back Burner	✗
Cast Stainless Steel Double Side Burners	Optional #60010CE Side Kick Side Burner
Piezo Igniter	✓
Zinc Knobs	✓
Stainless Steel 304 Gauge	1.60 mm
Single Piece SS Dual Lined Hood	✓
Solid Stainless Steel Grates	Chrome Plated Griddle
Heavy Duty Thermometer	✗
Solid S/Steel Warming Rack	✗
Stainless Steel Rotisserie Motor	✗
Stainless Steel Grease Tray	✓
Stainless Steel Side Shelves	✓
Twin Lighting System	✗
SS 304 Double Door Storage Cart	✓
SS 304 Door/Drawer Storage Cart	✗
Heavy Duty Castors	✓
CSA Certified	✓
CE Certified	✓
Lower Cooking Surface	57 x 44cm
Upper Cooking Surface	✗
Warranty Details	
Fire Box & Roasting Hood	Lifetime
Cooking Grates	1 Year
Burners	5 Years
Flame Tamers	✗
Grill	Packing Dimensions
Grill Carton Length	69 cm
Grill Carton Width	65 cm
Grill Carton Height	50 cm
Grill Carton Cube	0.23 m ³
Grill Carton Weight	63.00 Kg
Cart Bottom	Packing Dimensions
Cart Carton Length	56 cm
Cart Carton Width	58 cm
Cart Carton Height	69 cm
Cart Carton Cube	0.22 M ³
Cart Carton Weight	28.00 Kg



Standard Features

Outlaw Cart

#26001CE-LPG
#26002CE-NG

Outlaw Built-In

#26038CE-LPG
#26039CE-NG

Recommended Use	Commercial Residential
Cooking Power-kWh	17.60 kWh
Burners	4-Cast Iron Porcelain Coated
Infrared Back Burner	x
Cast Stainless Steel Double Side Burners	Optional #60010CE Side Kick Side Burner
Piezo Igniter	✓
Zinc Knobs	✓
Stainless Steel 304 Gauge	2.00 mm
Single Piece SS Dual Lined Hood	✓
Solid Stainless Steel Grates	✓
Heavy Duty Thermometer	✓
Solid S/Steel Warming Rack	✓
Stainless Steel Rotisserie Motor	x
Stainless Steel Grease Tray	✓
Stainless Steel Side Shelves	✓
Twin Lighting System	x
SS 304 Double Door Storage Cart	✓
SS 304 Door/Drawer Storage Cart	x
Heavy Duty Castors	✓
CSA Certified	✓
CE Certified	✓
Lower Cooking Surface	76 x 49 cm
Upper Cooking Surface	76 x 18 cm

Warranty Details

Fire Box & Roasting Hood	Lifetime
Cooking Grates	Lifetime
Burners	2 Years
Flame Tamers	5 Years

Grill Packing Dimensions

Grill Carton Length	86 cm
Grill Carton Width	66 cm
Grill Carton Height	63 cm
Grill Carton Cube	0.36 M ³
Grill Carton Weight	60.00 Kg

Cart Bottom Packing Dimensions

Cart Carton Length	84 cm
Cart Carton Width	58 cm
Cart Carton Height	59 cm
Cart Carton Cube	0.29 M ³
Cart Carton Weight	33.50 Kg

OUTLAW CART



OUTLAW BUILT-IN



The 76cm Outlaw Cart is a wonderful gas grilling option for the value minded customer who does not want to give up massive cooking power. The cart offers good storage underneath the grill and stainless steel side shelves for food preparation.

Standard Features

Lonestar Cart	#87001CE-LPG
	#87002CE-NG

Lonestar Built-In	#87048CE-LPG
	#87049CE-NG

Recommended Use	Commercial Residential
Cooking Power-kWh	17.60 kWh
Burners	4-Welded S/Steel Bar Burners
Infrared Back Burner	✗
Cast Stainless Steel Double Side Burners	Optional #60010CE Side Kick Side Burner
Piezo Igniter	✓
Zinc Knobs	✓
Stainless Steel 304 Gauge	2.00 mm
Single Piece SS Dual Lined Hood	✓
Solid Stainless Steel Grates	✓
Heavy Duty Thermometer	✓
Solid S/Steel Warming Rack	✓
Stainless Steel Rotisserie Motor	✗
Stainless Steel Grease Tray	✓
Stainless Steel Side Shelves	✓
Twin Lighting System	✓
SS 304 Double Door Storage Cart	✓
SS 304 Door/Drawer Storage Cart	✗
Heavy Duty Castors	✓
CSA Certified	✓
CE Certified	✓
Lower Cooking Surface	76 x 49 cm
Upper Cooking Surface	76 x 18 cm

Warranty Details

Fire Box & Roasting Hood	Lifetime
Cooking Grates	Lifetime
Burners	5 Years
Flame Tamers	5 Years

Grill Packing Dimensions

Grill Carton Length	86 cm
Grill Carton Width	66 cm
Grill Carton Height	63 cm
Grill Carton Cube	0.36 M ³
Grill Carton Weight	60.00 Kg

Cart Bottom Packing Dimensions

Cart Carton Length	84 cm
Cart Carton Width	58 cm
Cart Carton Height	59 cm
Cart Carton Cube	0.29 M ³
Cart Carton Weight	33.50 Kg

LONESTAR CART



LONESTAR BUILT-IN



This Grill is a 4-Burner Stainless Steel Gas Barbecue Grill. It has extra storage for a propane tank or other grilling necessities and its food prep areas on either side of the grill leave plenty of room to serve your favourite dishes.



Standard Features	
Renegade Cart	#32300CE-LPG #32301CE-NG
Renegade Built-In	#32368CE-LPG #32369CE-NG
Recommended Use	Commercial Residential
Cooking Power-kWh	22.00 kWh
Burners	5-Cast Iron Porcelain Coated
Infrared Back Burner	✗
Cast Stainless Steel Double Side Burners	Optional #60010CE Side Kick Side Burner
Piezo Igniter	✓
Zinc Knobs	✓
Stainless Steel 304 Gauge	2.00 mm
Single Piece SS Dual Lined Hood	✓
Solid Stainless Steel Grates	✓
Heavy Duty Thermometer	✓
Solid S/Steel Warming Rack	✓
Stainless Steel Rotisserie Motor	✗
Stainless Steel Grease Tray	✓
Stainless Steel Side Shelves	✓
Twin Lighting System	✗
SS 304 Double Door Storage Cart	✓
SS 304 Door/Drawer Storage Cart	✗
Heavy Duty Castors	✓
CSA Certified	✓
CE Certified	✓
Lower Cooking Surface	97 x 49 cm
Upper Cooking Surface	97 x 18 cm
Warranty Details	
Fire Box & Roasting Hood	Lifetime
Cooking Grates	Lifetime
Burners	2 Years
Flame Tamers	5 Years
Grill	Packing Dimensions
Grill Carton Length	107 cm
Grill Carton Width	69 cm
Grill Carton Height	62 cm
Grill Carton Cube	0.46 M ³
Grill Carton Weight	74.00 Kg
Cart Bottom	Packing Dimensions
Cart Carton Length	103 cm
Cart Carton Width	58 cm
Cart Carton Height	58 cm
Cart Carton Cube	0.35 M ³
Cart Carton Weight	37.65 Kg

RENEGADE CART



RENEGADE BUILT-IN



The 97cm Renegade Grill is a 5 burner 22 kWh stainless steel Grill Cart. This cart has plenty of room for grilling and plenty of storage under the grill for your propane tank and tools. It can also be easily moved to the ideal location in your backyard or patio.

CAST STAINLESS STEEL BURNER



**This Burner is the heart of our Premium Grills.
It is made from 304 Grade Cast Stainless Steel.
This heavy duty technology goes up to 4.40kWh.**

**Our ReliaBull Technology is engineered by the finest
University experts in California. This is why Bull is
confident in offering a **LIFETIME WARRANTY** on these
Beasts!**



ANGUS CART



ANGUS BUILT-IN



Standard Features	
Angus Cart	#44000CE-LPG #44001CE-NG
Angus Built-In	#47628CE-LPG #47629CE-NG
Recommended Use	Commercial Residential
Cooking Power- kWh	22.00 kWh
Burners	4-Cast S/ Steel Bar Burners
Infrared Back Burner	✓
Cast Stainless Steel Double Side Burners	Optional #60010CE Side Kick Side Burner
Piezo Igniter	✓
Zinc Knobs	✓
Stainless Steel 304 Gauge	2.00 mm
Single Piece SS Dual Lined Hood	✓
Solid Stainless Steel Grates	✓
Heavy Duty Thermometer	✓
Solid S/Steel Warming Rack	✓
Stainless Steel Rotisserie Motor	✓
Stainless Steel Grease Tray	✓
Stainless Steel Side Shelves	✓
Twin Lighting System	✓
SS 304 Double Door Storage Cart	✓
SS 304 Door/Drawer Storage Cart	✗
Heavy Duty Castors	✓
CSA Certified	✓
CE Certified	✓
Lower Cooking Surface	76 x 49 cm
Upper Cooking Surface	76 x 18 cm
Warranty Details	
Fire Box & Roasting Hood	Lifetime
Cooking Grates	Lifetime
Burners	Lifetime
Flame Tamers	5 Years
Grill	Packing Dimensions
Grill Carton Length	88 cm
Grill Carton Width	66 cm
Grill Carton Height	63 cm
Grill Carton Cube	0.37 M ³
Grill Carton Weight	76.00 Kg
Cart Bottom	Packing Dimensions
Cart Carton Length	84 cm
Cart Carton Width	58 cm
Cart Carton Height	59 cm
Cart Carton Cube	0.29 M ³
Cart Carton Weight	33.50 Kg

The Angus Grill is a 76cm 4-Burner Stainless Steel Barbecue Grill with an Infrared Back Burner and rotisserie. This grill cart has room to prepare food and great storage for your tools and propane tank.

BRAHMA CART



BRAHMA BUILT-IN



The Brahma Grill is a 97cm 5-Burner stainless steel gas barbecue with an infrared back burner and rotisserie. This cart has plenty of room for grilling and plenty of storage under the grill for your propane tank and tools.

Standard Features

Brahma Cart	#55000CE-LPG
	#55001CE-NG

Brahma Built-In	#57568CE-LPG
	#57569CE-NG

Recommended Use	Commercial Residential
Cooking Power-kWh	26.40 kWh
Burners	5 - Cast S/Steel Bar Burners
Infrared Back Burner	✓
Cast Stainless Steel Double Side Burners	Optional #60010CE Side Kick Side Burner
Piezo Ignites	✓
Zinc Knobs	✓
Stainless Steel 304 Gauge	2.00 mm
Single Piece SS Dual Lined Hood	✓
Solid Stainless Steel Grates	✓
Heavy Duty Thermometer	✓
Solid S/Steel Warming Rack	✓
Stainless Steel Rotisserie Motor	✓
Stainless Steel Grease Tray	✓
Stainless Steel Side Shelves	✓
Twin Lighting System	✓
SS 304 Double Door Storage Cart	✓
SS 304 Door/Drawer Storage Cart	✗
Heavy Duty Castors	✓
CSA Certified	✓
CE Certified	✓
Lower Cooking Surface	97 x 49 cm
Upper Cooking Surface	97 x 18 cm

Warranty Details

Fire Box & Roasting Hood	Lifetime
Cooking Grates	Lifetime
Burners	Lifetime
Flame Tamers	5 Years

Grill Packing Dimensions

Grill Carton Length	107 cm
Grill Carton Width	69 cm
Grill Carton Height	62 cm
Grill Carton Cube	0.46 M ³
Grill Carton Weight	83.00 Kg

Cart Bottom Packing Dimensions

Cart Carton Length	103 cm
Cart Carton Width	58 cm
Cart Carton Height	58 cm
Cart Carton Cube	0.35 M ³
Cart Carton Weight	37.65 Kg



DIABLO CART



DIABLO BUILT-IN



The Diablo grill is a 6-Burner 117cm barbecue grill with an Infrared back burner and rotisserie. Our largest Grill boasts a whopping 31 kWh of cooking power and comes standard with our Reliabull heat technology that reduces hot and cold spots creating a more even grilling surface.

Standard Features	
Diablo Cart	#62600CE-LPG #62601CE-NG
Requires #97060 Cart Conversion Kit	
Diablo Built-In	#62648CE-LPG #62649CE-NG
Recommended Use	Commercial Residential
Cooking Power-kWh	30.90 kWh
Burners	6 - Cast S/Steel Bar Burners
Infrared Back Burner	✓
Cast Stainless Steel Double Side Burners	✗
Piezo Igniter	✓
Zinc Knobs	✓
Stainless Steel 304 Gauge	2.00 mm
Single Piece SS Dual Lined Hood	✓
Solid Stainless Steel Grates	✓
Heavy Duty Thermometer	✓
Solid S/Steel Warming Rack	✓
Stainless Steel Rotisserie Motor	✓
Stainless Steel Grease Tray	✓
Stainless Steel Side Shelves	✓
Twin Lighting System	✓
SS 304 Double Door Storage Cart	✗
SS 304 Door/Drawer Storage Cart	✗
Heavy Duty Castors	✓
CSA Certified	✓
CE Certified	✓
Lower Cooking Surface	115x 49 cm
Upper Cooking Surface	115x 18 cm
Warranty Details	
Fire Box & Roasting Hood	Lifetime
Cooking Grates	Lifetime
Burners	Lifetime
Flame Tamers	5 Years
Grill	Packing Dimensions
Grill Carton Length	127 cm
Grill Carton Width	66 cm
Grill Carton Height	62 cm
Grill Carton Cube	0.52M ³
Grill Carton Weight	90.00 Kg
Cart Bottom	Packing Dimensions
Cart Carton Length	127 cm
Cart Carton Width	62 cm
Cart Carton Height	63 cm
Cart Carton Cube	0.50 M ³
Cart Carton Weight	68.00 Kg

Standard Features

7 Burner Cart

#28368CE-LPG
#28369CE-NG

7 Burner Built-In

#18248CE-LPG
#18249CE-NG

Recommended Use	Commercial Residential
Cooking Power-kWh	31.00 kWh
Burners	4 - Cast S/Steel Bar Burners
Infrared Back Burner	✓
Cast Stainless Steel Double Side Burners	✓
Piezo Ignites	✓
Zinc Knobs	✓
Stainless Steel 304 Gauge	2.00 mm
Single Piece SS Dual Lined Hood	✓
Solid Stainless Steel Grates	✓
Heavy Duty Thermometer	✓
Solid S/Steel Warming Rack	✓
Stainless Steel Rotisserie Motor	✓
Stainless Steel Grease Tray	✓
Stainless Steel Side Shelves	✓
Twin Lighting System	✓
SS 304 Double Door Storage Cart	✓
SS 304 Door/Drawer Storage Cart	✓
Heavy Duty Castors	✓
CSA Certified	✓
CE Certified	✓
Lower Cooking Surface	76 x 49 cm
Upper Cooking Surface	76 x 18 cm

Warranty Details

Fire Box & Roasting Hood	Lifetime
Cooking Grates	Lifetime
Burners	Lifetime
Flame Tamers	5 Years

Grill Packing Dimensions

Grill Carton Length	125 cm
Grill Carton Width	70 cm
Grill Carton Height	60 cm
Grill Carton Cube	0.53 M ³
Grill Carton Weight	96.00 Kg

Cart Bottom Packing Dimensions

Cart Carton Length	127 cm
Cart Carton Width	62 cm
Cart Carton Height	63 cm
Cart Carton Cube	0.50 M ³
Cart Carton Weight	68.00 Kg

7 BURNER CART



7 BURNER BUILT-IN

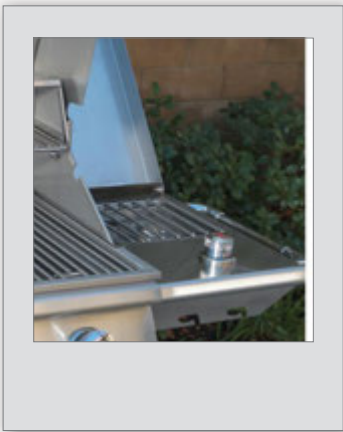


The 7 Burner Grill is the largest and most versatile of all our carts. It has an impressive cooking area, with infrared Back Burner and rotisserie, along with extra storage space. The incorporated double side burner saves space especially when incorporating in an Outdoor Kitchen.

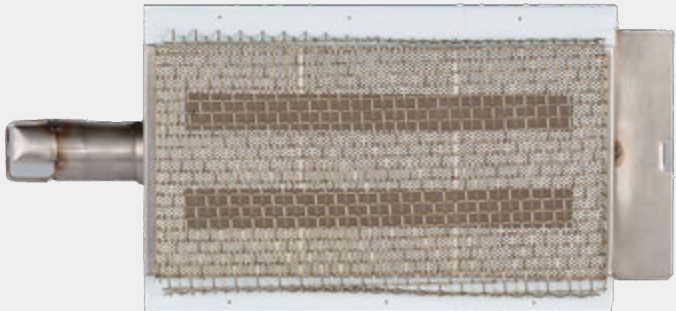
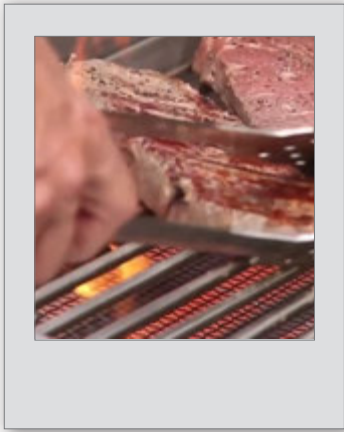
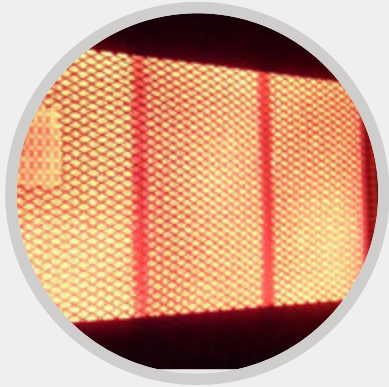


GRILL ENHANCEMENTS

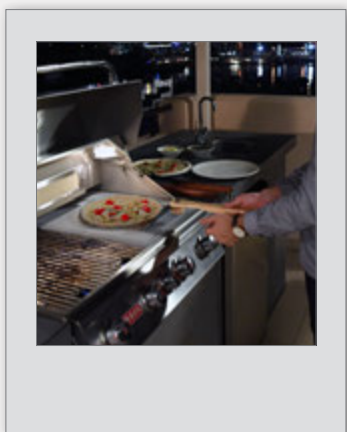
Sidekick Cart Single Side Burner		#60010CE	LPG
		On request	NG
304 Solid Cast Stainless Steel Burner.			
304 Solid Stainless Steel Grate. GAS CONNECTION KIT INCLUDED.			
Piezo Ignition. Replaces right shelf on 61,76 & 97cm Bull Grill Carts.			
Specifications			
CE Certified	4.40 kWh		
Dimensions		Cut out Dimensions	
L 33.2 cm	D 47.7 cm	H 15.3 cm	L N/A D N/A H N/A
CTN Length	0.54 Mts	CTN Height	0.21 Mts
CTN Width	0.40 Mts	CTN Weight	8 Kg 1 Pcs



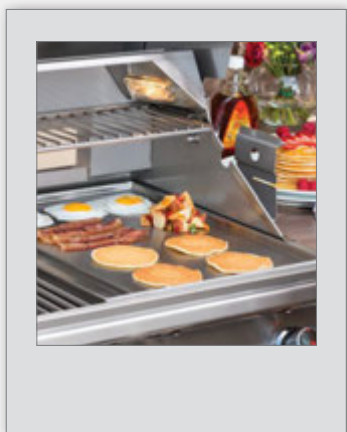
Infrared Searing Burner		#20505CE	LPG / NG
Ceramic Infrared sear Burner 5.86 kWh.			
Replaces all rightmost side burner on all Bull Grills.			
Takes less than one minute to install.			
Specifications			
CE Certified	5.86 kWh		
Dimensions		Cut out Dimensions	
L 16.8 cm	D 40.8 cm	H 7.1 cm	L N/A D N/A H N/A
CTN Length	0.48 Mts	CTN Height	0.20 Mts
CTN Width	0.46 Mts	CTN Weight	11.5 Kg 5 Pcs



Volcanic Rock Griddle/Pizza Stone			#97030		
Replaces 2 cooking grids on 76, 97 & 120cm Grills.					
Grease gutter around perimeter and Grease hole.					
This Lava Rock has the same properties as refractory stone.					
Specifications					
20mm thick					
Dimensions			Cut out Dimensions		
L 49.5cm	D 38.5cm	H 2.0cm	L N/A	D N/A	H N/A
CTN Length	0.53 Mts		CTN Height	0.11 Mts	
CTN Width	0.45 Mts		CTN Weight	12 Kg	1 Pcs



Slide-In Removable Griddle			#97020		
Turns part of your Bull Grill into a Flat Top Griddle .					
Perfect for making Tacos, Pancakes, Eggs and so much more.					
Specifications					
Solid S/Steel					
Dimensions			Cut out Dimensions		
L 50.00cm	D 38.0cm	H 2.0cm	L N/A	D N/A	H N/A
CTN Length	0.55 Mts		CTN Height	0.09 Mts	
CTN Width	0.43 Mts		CTN Weight	12 Kg	1 Pcs

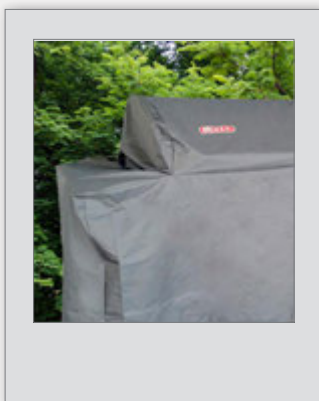


GRILL & CART COVERS

A wide selection of Covers available for all Grill Heads and Carts



Bull® 60cm Cart Cover		# 69105	
This Cart Cover fits Bull Steer Cart.			
CTN Length	0.36 Mts	CTN Height	1.00 Mts
CTN Width	0.46 Mts	CTN Weight	18.00 Kg 10 Pcs
Bull® 76cm Cart Cover		# 74033	
This Cart Cover fits Bull Bison, Angus, Outlaw and Lonestar Cart.			
CTN Length	0.44 Mts	CTN Height	0.80 Mts
CTN Width	0.56 Mts	CTN Weight	20.00 Kg 10 Pcs
Bull® 97cm Cart Cover		# 55005	
This cart Cover fits Bull Renegade, Brahma Cart.			
CTN Length	0.33 Mts	CTN Height	0.20 Mts
CTN Width	0.29 Mts	CTN Weight	25.00 Kg 10 Pcs
Bull® 97cm Premium Cart Cover		# 55100	
This cart Cover fits Bull Renegade, Brahma Cart.			
CTN Length	0.33 Mts	CTN Height	0.20 Mts
CTN Width	0.29 Mts	CTN Weight	9.00 Kg 10 Pcs
Bull® 120cm Cart Cover		# 18035	
This Cart Cover fits Bull 7 Burner Cart.			
CTN Length	0.39 Mts	CTN Height	0.64 Mts
CTN Width	0.32 Mts	CTN Weight	25.00 Kg 10 Pcs



Bull® 60cm Griddle Head Cover		# 97770	
This Cover fits Bull Plancha Griddle Built-In.			
CTN Length	0.28 Mts	CTN Height	0.46 Mts
CTN Width	0.34 Mts	CTN Weight	3.20 Kg 5 Pcs
Bull® 60cm Premium Grill Cover		# 69010	
This Head cover fits Bull Steer Premium Built-In.			
CTN Length	0.28 Mts	CTN Height	0.46 Mts
CTN Width	0.34 Mts	CTN Weight	3.20 Kg 5 Pcs
Bull® 76cm Grill Cover		# 45005	
300D Polyester Black Red Piping & Stitched Logo			
This Head cover fits Bull Bison, Angus, Outlaw & Lonestar Built-In.			
CTN Length	0.27 Mts	CTN Height	0.81 Mts
CTN Width	0.32 Mts	CTN Weight	7.00 Kg 8 Pcs
Bull® 76cm Grill Head Cover		# 52100	
300D Polyester Black Red Piping & Stitched Logo.			
This Head cover fits Bull Bison, Angus, Outlaw & Lonestar Built-In.			
CTN Length	0.31 Mts	CTN Height	0.24 Mts
CTN Width	0.36 Mts	CTN Weight	10.00 Kg 10 Pcs
Bull® 97cm Grill Cover		# 52040	
This Head Cover fits Bull Renegade, Brahma Built-In.			
CTN Length	0.36 Mts	CTN Height	0.24 Mts
CTN Width	0.31 Mts	CTN Weight	10.00 Kg 10 Pcs
Bull® 97cm Grill Head Cover		# 56006	
300D Polyester Black Red Piping & Stitched Logo			
This Head cover fits Bull Renegade, Brahma Built-In.			
CTN Length	0.27 Mts	CTN Height	0.81 Mts
CTN Width	0.33 Mts	CTN Weight	8.00 Kg 8 Pcs
Bull® 116cm Grill Head Cover		# 66270	
This Head cover fits Bull Diablo Built-In.			
CTN Length	0.31 Mts	CTN Height	0.49 Mts
CTN Width	0.33 Mts	CTN Weight	10.00 Kg 10 Pcs
Bull® 120cm Grill Head Cover		# 70000	
This Head Cover fits Bull 7- Burner Built-In.			
CTN Length	0.33 Mts	CTN Height	0.49 Mts
CTN Width	0.3 Mts	CTN Weight	10.00 Kg 10 Pcs

All Covers are also available in Sumbrella Surlast Canvas.



Bull® 60cm Griddle Cart Cover		# SLC73008		
This Cover fits Bull Plancha Griddle Cart.				
CTN Length	0.36 Mts	CTN Height	1.00 Mts	
CTN Width	0.46 Mts	CTN Weight	18.00 Kg	10 Pcs

Bull® 60cm Griddle Head Cover		# SLC97770		
This Cover fits Bull Plancha Griddle Built-In.				
CTN Length	0.28 Mts	CTN Height	0.46 Mts	
CTN Width	0.34 Mts	CTN Weight	3.20 Kg	5 Pcs

Bull® 60cm Cart Cover		# SLC69105		
This Cart Cover fits Bull Steer Cart.				
CTN Length	0.36 Mts	CTN Height	1.00 Mts	
CTN Width	0.46 Mts	CTN Weight	18.00 Kg	10 Pcs

Bull® 60cm Premium Grill Cover		# SLC69010		
This Head cover fits Bull Steer Premium Built-In.				
CTN Length	0.28 Mts	CTN Height	0.46 Mts	
CTN Width	0.34 Mts	CTN Weight	3.20 Kg	5 Pcs

Bull® 76cm Cart Cover		# SLC74033		
This Head cover fits Bull Bison, Outlaw, Lonestar & Angus Cart.				
CTN Length	0.44 Mts	CTN Height	0.80 Mts	
CTN Width	0.56 Mts	CTN Weight	20.00 Kg	10 Pcs

Bull® 76cm Grill Head Cover		# SLC52100		
This Head cover fits Bull Bison, Outlaw, Lonestar & Angus Built-In.				
CTN Length	0.36 Mts	CTN Height	0.24 Mts	
CTN Width	0.31 Mts	CTN Weight	10.00 Kg	10 Pcs

Bull® 97cm Premium Cart Cover		# SLC55100		
This cart Cover fits Bull Renegade, Brahma Cart.				
CTN Length	0.33 Mts	CTN Height	0.20 Mts	
CTN Width	0.29 Mts	CTN Weight	9.00 Kg	10 Pcs

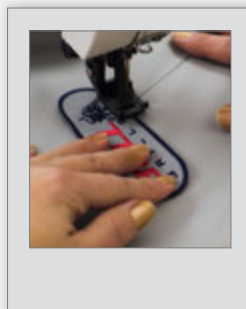
Bull® 97cm Grill Head Cover		# SLC56006		
This Head cover fits Bull Renegade, Brahma Built-In.				
CTN Length	0.27 Mts	CTN Height	0.81 Mts	
CTN Width	0.33 Mts	CTN Weight	8.00 Kg	8 Pcs

Bull® 116cm Grill Head Cover		# SLC62600		
This Head cover fits Bull Diablo Cart.				
CTN Length	0.39 Mts	CTN Height	0.64 Mts	
CTN Width	0.32 Mts	CTN Weight	25.00 Kg	10 Pcs

Bull® 116cm Grill Head Cover		# SLC66270		
This Head cover fits Bull Diablo Built-In.				
CTN Length	0.31 Mts	CTN Height	0.49 Mts	
CTN Width	0.33 Mts	CTN Weight	10.00 Kg	10 Pcs

Bull® 120cm Cart Cover		# SLC18035		
This Cart Cover fits Bull 7 Burner Cart.				
CTN Length	0.39 Mts	CTN Height	0.64 Mts	
CTN Width	0.32 Mts	CTN Weight	25.00 Kg	10 Pcs

Bull® 120cm Grill Head Cover		# SLC70000		
This Head Cover fits Bull 7- Burner Built-In.				
CTN Length	0.33 Mts	CTN Height	0.49 Mts	
CTN Width	0.3 Mts	CTN Weight	10.00 Kg	10 Pcs



Colour Options



These are Premium Hand Stitched Tailored Covers in Sumbrella Surlast Marine Grade Fabric & Thread.



BULL PIZZA OVENS



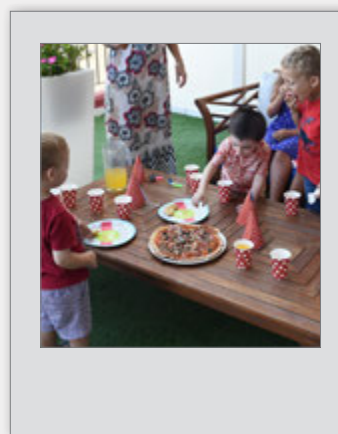
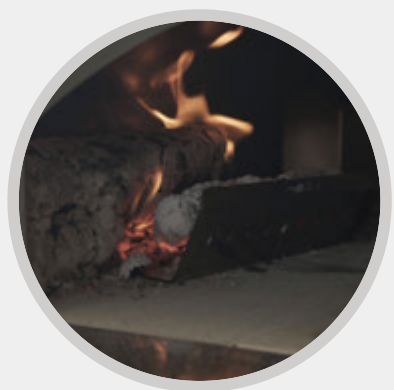
The Large Pizza Oven is wood-fired and built in Italy with solid welded construction, stainless steel & electro galvanized steel. The internal is nickel/chrome steel and reinforced with 6mm corten refractory plates.

WOOD FIRED LARGE

Large Pizza Oven with Cart		#66025	
Baking Stone: 60 cm W x 60 cm D. Chimney Stainless steel 316.			
Top & Back 304 solid Stainless Steel. Internal Top 2.55mm.			
Internal Bottom 3.00mm thick, 441 Chrome/Nickel Steel.			
Specifications			
Powder Coated Anthracite Top.			
Dimensions			
L 77.8 cm		D 85.5 cm	
		H 198 cm	
CTN Length	0.89 Mts	CTN Height	0.83 Mts
CTN Width	0.83 Mts	CTN Weight	130 Kg 1 Pcs

Large Pizza Oven		#66024	
Baking Stone: 60 cm W x 60 cm D. Chimney Stainless steel 316.			
Top & Back 304 solid Stainless Steel. Internal Top 2.55mm.			
Internal Bottom 3.00mm thick, 441 Chrome/Nickel Steel.			
Specifications			
Powder Coated Anthracite Top.			
Dimensions			
L 77.8 cm		D 85.5 cm	
		H 118 cm	
CTN Length	0.89 Mts	CTN Height	0.63 Mts
CTN Width	0.83 Mts	CTN Weight	108 Kg 1 Pcs

Large Cart Only		#66039	
Stainless Steel Unassembled.			
Specifications			
Dimensions			
L 77.8 cm		D 78 cm	
		H 79.8 cm	
CTN Length	0.89 Mts	CTN Height	0.22 Mts
CTN Width	0.83 Mts	CTN Weight	22 Kg 1 Pcs



PIZZA OVENS

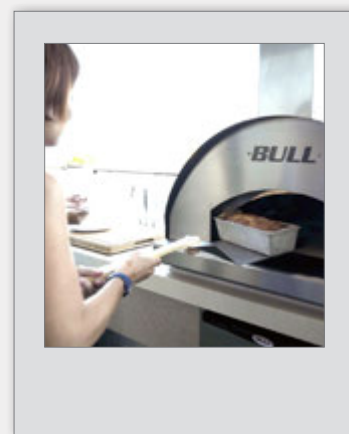
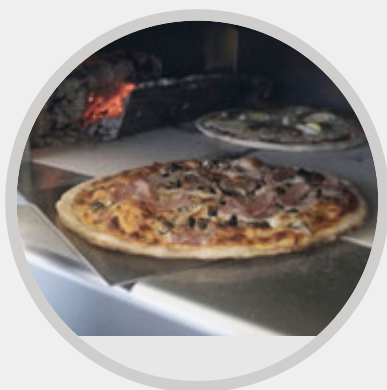
The Extra Large Pizza Oven is wood-fired and built in Italy with solid welded construction, stainless steel & electro galvanized steel. The internal is nickel/chrome steel and reinforced with 6mm corten refractory plates.

WOOD FIRED XL

Extra Large Pizza Oven with Cart		#66042	
Baking Stone: 80 cm W x 60 cm D. Chimney Stainless steel 316.			
Top & Back 304 solid Stainless Steel. Internal Top 2.55mm.			
Internal Bottom 3.00mm thick, 441 Chrome/Nickel Steel.			
Specifications			
Powder Coated Anthracite Top.			
Dimensions			
L 98.0 cm	D 85.5 cm	H 198 cm	
CTN Length	1.03 Mts	CTN Height	0.85 Mts
CTN Width	0.99 Mts	CTN Weight	152 Kg 1 Pcs

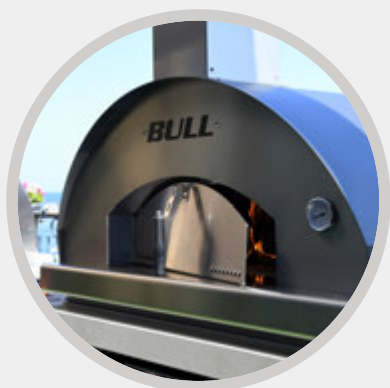
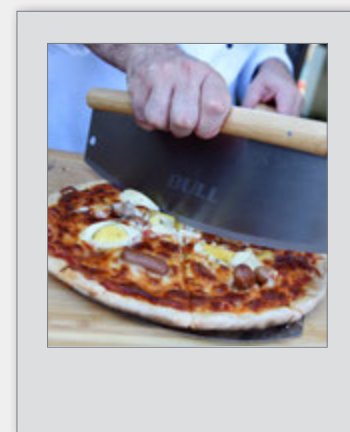
Extra Large Pizza Oven		#66040	
Baking Stone: 80 cm W x 60 cm D. Chimney Stainless steel 316.			
Top & Back 304 solid Stainless Steel. Internal Top 2.55mm.			
Internal Bottom 3.00mm thick, 441 Chrome/Nickel Steel.			
Specifications			
Powder Coated Anthracite Top.			
Dimensions			
L 98.0 cm	D 85.5 cm	H 119 cm	
CTN Length	1.03 Mts	CTN Height	0.63 Mts
CTN Width	0.99 Mts	CTN Weight	130 Kg 1 Pcs

Extra Large Cart Only		#66041	
Stainless Steel Unassembled.			
Specifications			
Dimensions			
L 98.0 cm	D 78 cm	H 79.8 cm	
CTN Length	0.93 Mts	CTN Height	0.22 Mts
CTN Width	0.72 Mts	CTN Weight	22 Kg 1 Pcs



The Large Pizza Oven is gas-fired and built in Italy with solid welded construction, stainless steel & electro galvanized steel. A much cleaner and faster way to cook your favourite pizza and roast.

GAS FIRED LARGE



Large Pizza Oven with Cart		#66125CE	
Baking Stone: 60 cm W x 60 cm D. Chimney Stainless steel 316.			
Top & Back 304 solid Stainless Steel. Internal Top 2.55mm.			
Internal Bottom 3.00mm thick, 441 Chrome/Nickel Steel.			
Specifications			
Brushed stainless Steel Top. 14k Wh S/Steel Tubular Burner.			
Dimensions			
L 77.8 cm	D 85.5 cm	H 198 cm	
CTN Length	0.89 Mts	CTN Height	0.93 Mts
CTN Width	0.83 Mts	CTN Weight	130 Kg 1 Pcs

Large Pizza Oven		#66124CE	
Baking Stone: 60 cm W x 60 cm D. Chimney Stainless steel 316.			
Top & Back 304 solid Stainless Steel. Internal Top 2.55mm.			
Internal Bottom 3.00mm thick, 441 Chrome/Nickel Steel.			
Specifications			
Brushed stainless Steel Top. 14k Wh S/Steel Tubular Burner.			
Dimensions			
L 77.8 cm	D 85.5 cm	H 126 cm	
CTN Length	0.89 Mts	CTN Height	0.71 Mts
CTN Width	0.83 Mts	CTN Weight	110 Kg 1 Pcs

Large Cart Only		#66139	
Stainless Steel Unassembled.			
Specifications			
Dimensions			
L 77.8 cm	D 78 cm	H 71.8 cm	
CTN Length	0.93 Mts	CTN Height	0.22 Mts
CTN Width	0.73 Mts	CTN Weight	20 Kg 1 Pcs



PIZZA OVENS

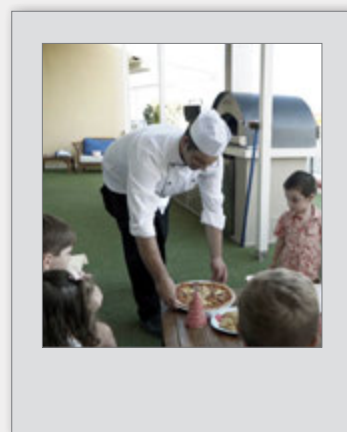
The Extra Large Pizza Oven is gas-fired and built in Italy with solid welded construction, stainless steel & electro galvanized steel. A much cleaner and faster way to cook your favourite pizza and roast.

GAS FIRED XL

Extra Large Pizza Oven with Cart		#66142CE	
Baking Stone: 80 cm W x 60 cm D. Chimney Stainless steel 316.			
Top & Back 304 solid Stainless Steel. Internal Top 2.55mm.			
Internal Bottom 3.00mm thick, 441 Chrome/Nickel Steel.			
Specifications			
Brushed stainless Steel Top. 14k Wh S/Steel Tubular Burner.			
Dimensions			
L 97.8 cm	D 85.5 cm	H 198 cm	
CTN Length	1.03 Mts	CTN Height	0.93 Mts
CTN Width	0.89 Mts	CTN Weight	147 Kg 1 Pcs

Extra Large Pizza Oven		#66140CE	
Baking Stone: 80 cm W x 60 cm D. Chimney Stainless steel 316.			
Top & Back 304 solid Stainless Steel. Internal Top 2.55mm.			
Internal Bottom 3.00mm thick, 441 Chrome/Nickel Steel.			
Specifications			
Brushed stainless Steel Top. 14k Wh S/Steel Tubular Burner.			
Dimensions			
L 97.8 cm	D 85.5 cm	H 126 cm	
CTN Length	1.03 Mts	CTN Height	0.71 Mts
CTN Width	0.89 Mts	CTN Weight	127 Kg Pcs

Extra Large Cart Only		#66141	
Stainless Steel Unassembled.			
Specifications			
Dimensions			
L 98.0 cm	D 78 cm	H 71.8 cm	
CTN Length	0.93 Mts	CTN Height	0.22 Mts
CTN Width	.073 Mts	CTN Weight	20 Kg Pcs



SURLAST COVERS

Large Pizza Oven Fitted Cover		# SLC66024		
Fits Large Oven #66024/#66124.				
Weather Proof and Breathable Sumbrella Surlast Cover.				
CTN Length	0.40 Mts	CTN Height	0.6 Mts	
CTN Width	0.30 Mts	CTN Weight	1.05 Kg	1 Pcs

Extra Large Pizza Oven Fitted Cover		#SLC66040		
Fits Extra Large Oven #66040/#66140.				
Weather Proof and Breathable Sumbrella Surlast Cover.				
CTN Length	0.40 Mts	CTN Height	0.6 Mts	
CTN Width	0.30 Mts	CTN Weight	1.05 Kg	1 Pcs

Large Pizza Oven Cart Fitted Cover		#SLC66025		
Fits Large Oven #66025/#66125.				
Weather Proof and Breathable Sumbrella Surlast Cover.				
CTN Length	0.40 Mts	CTN Height	0.8 Mts	
CTN Width	0.30 Mts	CTN Weight	1.56 Kg	1 Pcs

Ex Large Pizza Oven Cart Fitted Cover		#SLC66042		
Fits Large Oven #66042/#66142.				
Weather Proof and Breathable Sumbrella Surlast Cover.				
CTN Length	0.40 Mts	CTN Height	0.8 cm Mts	
CTN Width	0.30 Mts	CTN Weight	1.56 Kg	1 Pcs



Oven Cart Cover



Oven Cover



Colour Options



BULL COMPONENT DISPLAY

The Bull Component Display is offered to new qualifying dealers on a cost free basis subject to the purchase of the associated components. The Bull Component Display is the perfect companion to Bull display outdoor kitchens allowing dealers to effectively guide customers to which Bull components will be best suited to their outdoor kitchen choice.



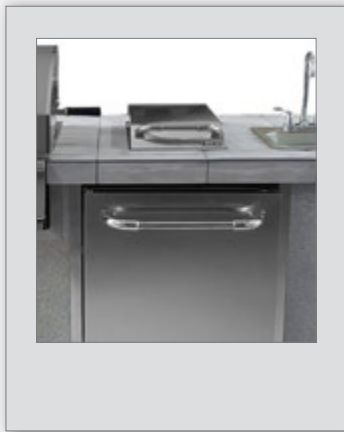
REAR VIEW



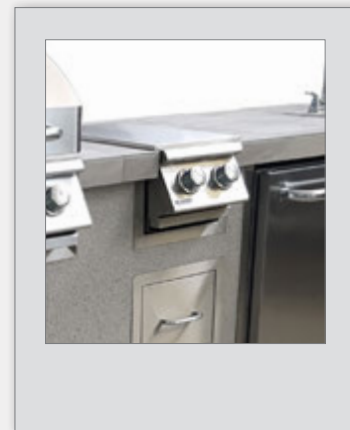
FRONT VIEW

SIDE BURNERS

Drop-in Single Side Burner		#60008CE	LPG
		#60009CE	NG
304 Solid Cast Stainless Steel Burner.			
304 Solid Stainless Steel Grate. GAS CONNECTIONS NOT INCLUDED.			
Piezo Ignition / Drop-In Design.			
Specifications			
CE Certified	4.40 kWh		
Dimensions		Cut out Dimensions	
L 31.8 cm	D 54.7 cm	H 14.5 cm	L 28.8 cm D 44.5 cm H 8.5 cm
CTN Length	0.58 Mts	CTN Height	0.20 Mts
CTN Width	0.34 Mts	CTN Weight	8.6 Kg 1 Pcs



Slide - In Double Side Burner		#30008CE	LPG
		#30009CE	NG
304 Stainless Steel Construction & Removable Cover.			
Solid Cast S/Steel Burners/Slide in. GAS CONNECTIONS NOT INCLUDED.			
Solid Stainless Steel Grates & Piezo Igniter System.			
Specifications			
CE Certified	7 kWh	13.15Kg	Slide in Design
Dimensions		Cut out Dimensions	
L 33.5 cm	D 62.3 cm	H 24.4 cm	L 30.5 cm D 52.8 cm H 2.4 cm
CTN Length	0.69 Mts	CTN Height	0.29 Mts
CTN Width	0.37 Mts	CTN Weight	15 Kg 1 Pcs



REFRIGERATORS

130 Lt Stainless Steel Refrigerator		#11002CE	
Space saving flush back design Stainless 304 steel door panel.			
Reversible door - left or right swing.			
Full range temperature control.			
Specifications			
CE Certified	Refrigerant	R600A	75w; 0.65A
Dimensions		Cut out Dimensions	
L 48.6 cm	D 51.7 cm	H 81.0 cm	L 52.2 cm D 46.8 cm H 83.0 cm
CTN Length	Mts	CTN Height	Mts
CTN Width	Mts	CTN Weight	30 Kg Pcs



150 Lt Premium Outdoor Rated Stainless Steel Fridge		#13700CE	
IPX4 Withstands extremes of weather, UV-safe, Internal Digital LED Control Panels, Reversible self-Closing and sealed locking Door, 3 shelf storage system, ETL, DOE, & CE (energy saver) Certifications.			
Specifications			
CE Certified	Refrigerant	R600a	110w; 1.0A
Dimensions		Cut out Dimensions	
L 60.1 cm	D 60.1 cm	H 82.6 cm	L 62.0 cm D 61.5 cm H 84.0 cm
CTN Length	0.69 Mts	CTN Height	0.89 Mts
CTN Width	0.66 Mts	CTN Weight	60 Kg 1 Pcs



188 Lt Kegerator		#17900CE	
188 Lts with Single Curved Tap , Single Pull.			
Specifications			
CE Certified	Refrigerant	R600a	125w; 1.10A
Dimensions		Cut out Dimensions	
L 60.5 cm	D 63.8 cm	H 87.1 cm	L 63.0 cm D 61.5 cm H 88.5cm
CTN Length	0.00 Mts	CTN Height	0.890 Mts
CTN Width	0.00 Mts	CTN Weight	0 Kg 1 Pcs

ICE CHEST

Stainless Steel Ice Chest		#00002	
20Kgs capacity, Stainless Steel Construction.			
Double Walled, Includes Condiment Tray.			
Perfect for Chilling Drinks for your Outdoor entertainment.			
Specifications			
Stainless Steel	304 Grade		
Dimensions		Cut out Dimensions	
L 42.5 cm	D 51.3 cm	H 48.8 cm	L 35.0 cm D 52.2 cm H 39.5 cm
CTN Length	0.48 Mts	CTN Height	0.47 Mts
CTN Width	0.58 Mts	CTN Weight	20 Kg 1 Pcs



BAR CENTERS



76cm Bar Caddy		#97623	
Sink with Cold Water Faucet and Cutting Board.			
Ice Chest with sliding Lid, Removable Condiment Tray.			
Towel Holder and Bottle Opener. 15kg ice capacity.			
Specifications			
Stainless Steel	304 Grade		
Dimensions		Cut out Dimensions	
L 72.9 cm	D 71.7 cm	H 32.0 cm	L 73.8 cm D 57.8 cm H 24.0 cm
CTN Length	0.84 Mts	CTN Height	0.35 Mts
CTN Width	0.73 Mts	CTN Weight	33 Kg 1 Pcs

46cm Bar Caddy		#85624	
Removable Condiment Tray.			
Ice Chest with sliding Lid.			
Towel Holder. 15kg ice capacity.			
Specifications			
Stainless Steel	304 Grade		
Dimensions		Cut out Dimensions	
L 42.7 cm	D 56.7 cm	H 27.4 cm	L 43.5 cm D 57.0 cm H 24.0 cm
CTN Length	0.72 Mts	CTN Height	0.35 Mts
CTN Width	0.52 Mts	CTN Weight	23 Kg 1 Pcs



SINKS

Stainless Steel Sink: Small		#22389	
1.2mm 304 Grade Stainless Steel.			
Hot and Cold Single Lever Water Faucet.			
Overflow with drain.			
Specifications			
Stainless Steel	304 Grade		
Dimensions		Cut out Dimensions	
L 37.8 cm	D 42.9 cm	H 19.9 cm	L 36 cm D 41 cm H 21.0 cm
CTN Length	0.44 Mts	CTN Height	0.35 Mts
CTN Width	0.48 Mts	CTN Weight	8.00 Kg 1 Pcs



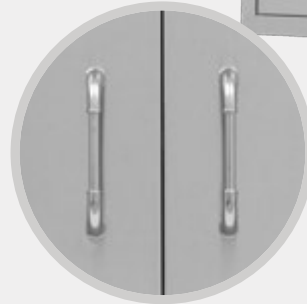
Stainless Steel Sink: Large		#22391	
1.2mm 304 Grade Stainless Steel..			
Hot and Cold Single Lever Water Faucet.			
Overflow with drain.			
Specifications			
Stainless Steel	304 Grade		
Dimensions		Cut out Dimensions	
L 48.3 cm	D 45 cm	H 20cm	L 46 cm D 43.3 cm H 21 cm
CTN Length	0.51 Mts	CTN Height	0.34 Mts
CTN Width	0.55 Mts	CTN Weight	9.60 Kg 1 Pcs



Stainless Steel Sink: Extra Large		#22392	
1.2mm 304 Grade Stainless Steel..			
Hot and Cold Single Lever Water Faucet.			
Overflow with drain.			
Specifications			
Stainless Steel	304 Grade		
Dimensions		Cut out Dimensions	
L 60 cm	D 49.5 cm	H 20 cm	L 57.8 cm D 47.8 cm H 21 cm
CTN Length	0.56 Mts	CTN Height	0.34 Mts
CTN Width	0.65 Mts	CTN Weight	11.2 Kg 1 Pcs

DOORS

76cm Double Door		#33568	
1.7mm Gauge Stainless Steel Construction.			
Double Walled.			
Internal liner #74000 not included			
Specifications			
Stainless Steel	304 Grade		
Dimensions		Cut out Dimensions	
L 83.8 cm	D 4.9 cm	H 55.7 cm	L 79.0 cm D 5.8 cm H 50.5 cm
CTN Length	0.87 Mts	CTN Height	0.08 Mts
CTN Width	0.59 Mts	CTN Weight	9.39 Kg 1 Pcs



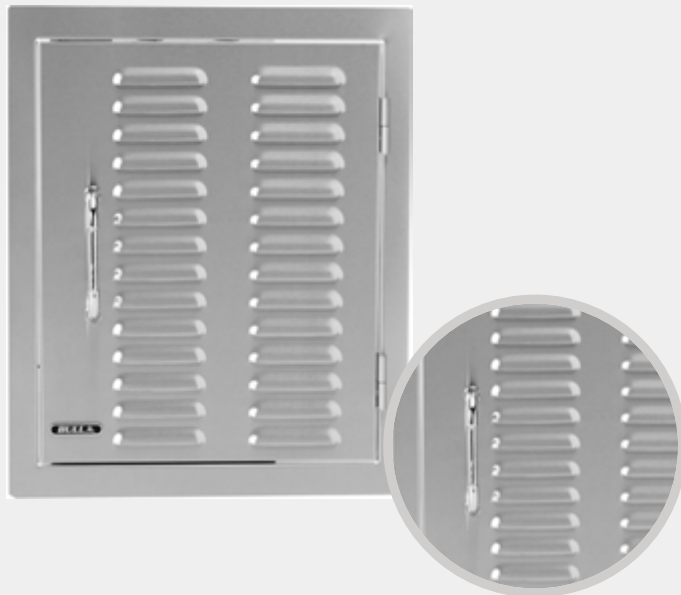
97cm Double Door		#34000	
1.7mm Gauge Stainless Steel Construction.			
Double Walled.			
Internal liner #74100 not included			
Specifications			
Stainless Steel	304 Grade		
Dimensions		Cut out Dimensions	
L 102.9 cm	D 4.9 cm	H 55.7 cm	L 98.0 cm D 5.8 cm H 50.5 cm
CTN Length	1.057 Mts	CTN Height	0.18 Mts
CTN Width	0.66 Mts	CTN Weight	10.0 Kg 1 Pcs

Single Horizontal Door		#89970	
1.7mm Gauge Stainless Steel Construction.			
Access Door with Lock & Key.			
Internal liner #89972 not included			
Specifications			
Stainless Steel	304 Grade		
Dimensions		Cut out Dimensions	
L 64.9 cm	D 3.8 cm	H 46.0 cm	L 59.5cm D 5.8 cm H 39.5cm
CTN Length	0.68 Mts	CTN Height	0.71 Mts
CTN Width	0.49 Mts	CTN Weight	5.92 Kg 1 Pcs



DOORS

Right Swing Vertical Door		#89975	
Left Swing Vertical Door		#98552	
1.7mm Gauge Stainless Steel Construction.			
Double Walled. Internal liner #89973 not included			
Access Door for easy storage of propane/gas lines.			
Specifications			
Stainless Steel	304 Grade		
Dimensions		Cut out Dimensions	
L 45.2 cm	D 4.9 cm	H 55.7 cm	L 40.0 cm D 5.8 cm H 9.5 cm
CTN Length	0.51 Mts	CTN Height	0.13 Mts
CTN Width	0.34 Mts	CTN Weight	5.9 Kg 1 Pcs



Single Access Vented Door		#89977	
1.7mm Gauge Stainless Steel Construction.			
Double Walled.			
Vertical Single Access Vented Door.			
Specifications			
Stainless Steel	304 Grade		
Dimensions		Cut out Dimensions	
L 54.2 cm	D 4.9 cm	H 55.7 cm	L 40.0 cm D 5.8 cm H 49.6 cm
CTN Length	0.48 Mts	CTN Height	0.08 Mts
CTN Width	0.60 Mts	CTN Weight	4.45 Kg 1 Pcs

Large Vertical Vented Door		#89978	
1.7mm Gauge Stainless Steel Construction.			
Vented Gas Bottle Door.			
Specifications			
Stainless Steel	304 Grade		
Dimensions		Cut out Dimensions	
L 45.2 cm	D 4.9 cm	H 77.5 cm	L 40.0 cm D 5.8 cm H 71.5 cm
CTN Length	0.80 Mts	CTN Height	0.08 Mts
CTN Width	0.50 Mts	CTN Weight	6 Kg 1 Pcs



DRAWERS

Double Drawer		#56985	
1.7mm Gauge Stainless Steel Construction.			
Enclosed Drawer - Soft Closing System.			
Storage space.			
Specifications			
Stainless Steel		304 Grade	
Dimensions		Cut out Dimensions	
L 35.4 cm	D 52.1 cm	H 53.3 cm	L 32.5 cm D 53.0 cm H 49.0 cm
CTN Length	0.56 Mts	CTN Height	0.52 Mts
CTN Width	0.38 Mts	CTN Weight	22 Kg 1 Pcs



Gas Tank/Trash Drawer		#56825	
1.7mm Gauge Stainless Steel Construction.			
Enclosed Slide-Out Drawer - Soft Closing System.			
Storage for Propane Tank/Trash Can. Ventilated.			
Specifications			
Stainless Steel		304 Grade	
Dimensions		Cut out Dimensions	
L 41.9 cm	D 40.6cm	H 55.9 cm	L 36.4 cm D 41.1cm H 49.0 cm
CTN Length	0.45 Mts	CTN Height	0.46 Mts
CTN Width	0.60 Mts	CTN Weight	16.3 Kg 1 Pcs

Single Drawer		#09970	
1.7mm Gauge Stainless Steel Construction.			
Slide-Out Drawer - Soft Closing System.			
Storage Space for your grilling accessories.			
Specifications			
Stainless Steel		304 Grade	
Dimensions		Cut out Dimensions	
L 64.8cm	D 51.8 cm	H 15.2 cm	L 60.0 cm D 52.2 H 10.2 cm
CTN Length	0.67 Mts	CTN Height	0.18 Mts
CTN Width	0.58 Mts	CTN Weight	8.71 Kg 1 Pcs



DRAWERS

Large Single Drawer		#09980	
1.7mm Gauge Stainless Steel Construction.			
Slide-Out Drawer - Soft Closing System.			
Storage Space for your grilling accessories.			
Specifications			
Stainless Steel	304 Grade		
Dimensions		Cut out Dimensions	
L 68.3cm	D 60.2 cm	H 29.3 cm	L 63.0 cm D 60.2 cm H 27.3 cm
CTN Length	0.70 Mts	CTN Height	0.34 Mts
CTN Width	0.62 Mts	CTN Weight	0.00 Kg 1 Pcs



Warming Drawer		#85747CE	
1.7mm Gauge Stainless Steel Construction.			
Variable Temperature Control.			
Moisture Vent Control, Heat-On Light.			
Specifications			
Stainless Steel	304 Grade	220V, 50Hz, 450W, 2A	
Dimensions		Cut out Dimensions	
L 76.2 cm	D 50.7 cm	H 29.4 cm	L 72.5 cm D 52.0 cm H 25.5 cm
CTN Length	0.82 Mts	CTN Height	0.32 Mts
CTN Width	0.59 Mts	CTN Weight	32 Kg 1 Pcs

Large Pull Out Trash Drawer		#56925	
1.7mm Gauge Stainless Steel Construction.			
Slide-Out Drawer with Hanging Trash Can.			
Soft Closing System.			
Specifications			
Stainless Steel	304 Grade		
Dimensions		Cut out Dimensions	
L 52.8cm	D 40.0cm	H 68.6cm	L 46.5cm D 41.0cm H 62.0 cm
CTN Length	0.56 Mts	CTN Height	0.45 Mts
CTN Width	0.71 Mts	CTN Weight	23 Kg 1 Pcs

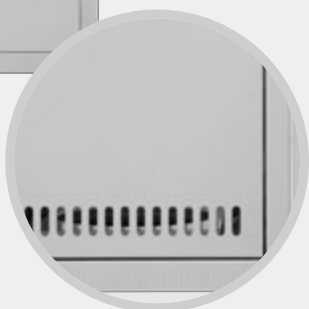


DOOR / DRAWERS COMBOS

76cm Door/Drawer Combo		#25876	
1.7mm Gauge Stainless Steel Construction.			
Fully Enclosed Drawer Components - Soft Closing System.			
Double Lined Doors. Internal liner #89973 not included			
Specifications			
Stainless Steel		304 Grade	
Dimensions		Cut out Dimensions	
L 83.8 cm	D 52.1 cm	H 55.9 cm	L 79.0 cm D 52.8 cm H 50.5 cm
CTN Length	0.87 Mts	CTN Height	0.59 Mts
CTN Width	0.57 Mts	CTN Weight	30.3 Kg 1 Pcs



Gas Tank Drawer/Door combo		#65784	
1.7mm Gauge Stainless Steel Construction.			
Single Access door and Ventilated Trash and Propane Drawer			
Soft Closing System. Internal liner #89973 not included			
Specifications			
Stainless Steel		304 Grade	
Dimensions		Cut out Dimensions	
L 83.8 cm	D 40.6 cm	H 55.9 cm	L 79.0 cm D 41.0 cm H 50.5 cm
CTN Length	0.46 Mts	CTN Height	0.59 Mts
CTN Width	0.57 Mts	CTN Weight	30.3 Kg 1 Pcs



97cm Door/Drawer Combo		#55875	
1.7mm Gauge Stainless Steel Construction.			
Fully Enclosed Drawer Components - Soft Closing System.			
Double Lined Doors. Internal liner #55877 not included			
Specifications			
Stainless Steel		304 Grade	
Dimensions		Cut out Dimensions	
L 102.9 cm	D 52.1 cm	H 55.9 cm	L 98.0 cm D 53.0 cm H 50.5 cm
CTN Length	1.08 Mts	CTN Height	0.59 Mts
CTN Width	0.57 Mts	CTN Weight	33.0 Kg 1 Pcs

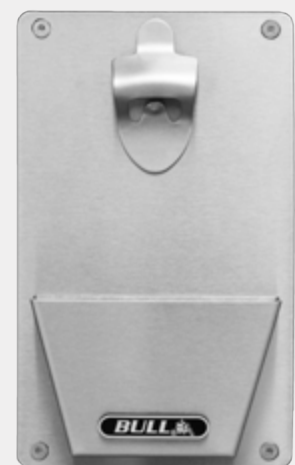


MIXED

Paper Towel Dispenser		#73624	
1.7mm Gauge Stainless Steel Construction.			
Holds one standard Roll of Paper Towels.			
Pull-Out Rail			
Specifications			
Stainless Steel	304 Grade		
Dimensions		Cut out Dimensions	
L 27.9 cm	D 28.3 cm	H 40.6 cm	L 23.6 cm D 29.3 cm H 36.3 cm
CTN Length	0.42 Mts	CTN Height	0.33 Mts
CTN Width	0.31 Mts	CTN Weight	Kg 1 Pcs



Drop-In Cutting Board		#66007	
1.7mm Gauge Stainless Steel Construction.			
Removable Stainless Steel Lid, Hard Plastic Cutting Board.			
Drain in Bottom of Unit, Syphon not included			
Specifications			
Stainless Steel	304 Grade		
Dimensions		Cut out Dimensions	
L 32.1 cm	D 44.0 cm	H 6.7cm	L 28.6 cm D 44.5 cm H 8.4 cm
CTN Length	0.33 Mts	CTN Height	0.14 Mts
CTN Width	0.50 Mts	CTN Weight	Kg 1 Pcs



Bottle Opener		#66006	
1.7mm Gauge Stainless Steel Construction.			
Detachable Cap catch.			
Easy Mounting Design.			
Specifications			
Stainless Steel	304 Grade		
Dimensions		Cut out Dimensions	
L 15.2 cm	D N/A cm	H 25.4 cm	L N/A cm D N/A cm H N/A cm
CTN Length	0.27 Mts	CTN Height	0.06 Mts
CTN Width	0.17 Mts	CTN Weight	0.83 Kg 1 Pcs



FINISHING FRAMES

34cm Finishing Frame		#93007		
304 Grade Stainless Steel Construction.				
Designed for: Double Side Burner #30008/9CE & Searing Station#97008/9CE.				
CTN Length	0.39 Mts	CTN Height	0.05 Mts	
CTN Width	0.24 Mts	CTN Weight	1.13 Kg	1 Pcs



60cm Grill Frame		#97001		
304 Grade Stainless Steel Construction.				
Designed for: Plancha Griddle #97008				
CTN Length	0.8 Mts	CTN Height	0.07 Mts	
CTN Width	0.25 Mts	CTN Weight	1.25 Kg	1 Pcs

97cm Grill Frame		#58726		
304 Grade Stainless Steel Construction.				
Designed for: Brahma Grill #57568				
CTN Length	1.11 Mts	CTN Height	0.08 Mts	
CTN Width	0.26 Mts	CTN Weight	1.97 Kg	1 Pcs

64cm Grill Frame		#69428		
304 Grade Stainless Steel Construction.				
Designed for: Steer Grill #69008				
CTN Length	0.78 Mts	CTN Height	0.07 Mts	
CTN Width	0.25 Mts	CTN Weight	1.50 Kg	1 Pcs

116 cm Grill Frame		#72008		
304 Grade Stainless Steel Construction.				
Designed for: Diablo Grill #62648				
CTN Length	1.11 Mts	CTN Height	0.08 Mts	
CTN Width	0.26 Mts	CTN Weight	1.97 Kg	1 Pcs

76cm Grill Frame		#49328		
304 Grade Stainless Steel Construction.				
Designed for: Lonestar / Angus Grills #87048 #47628				
CTN Length	0.92 Mts	CTN Height	0.07 Mts	
CTN Width	2.25 Mts	CTN Weight	1.80 Kg	1 Pcs

120 cm Grill Frame		# 74327		
304 Grade Stainless Steel Construction.				
Designed for: 7 Burner Grill Head #18248				
CTN Length	1.31 Mts	CTN Height	0.08 Mts	
CTN Width	0.26 Mts	CTN Weight	2.10 Kg	1 Pcs

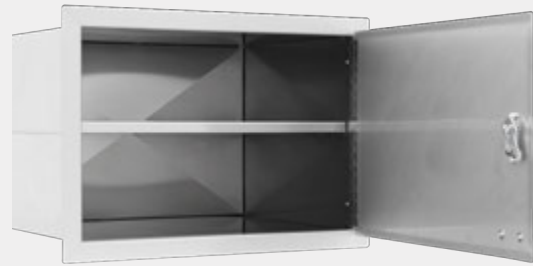
Refrigerator Frame		#99935		
304 Grade Stainless Steel Construction.				
Designed for: Outdoor Refrigerator #11002CE.				
CTN Length	1.11 Mts	CTN Height	0.08 Mts	
CTN Width	0.26 Mts	CTN Weight	1.97 Kg	1 Pcs

Outdoor Fridge / Kegorator Frame		#13900/#17999		
304 Grade Stainless Steel Construction.				
Designed for: Outdoor Fridge #13700 / Kegorator #17900CE.				
CTN Length	1.11 Mts	CTN Height	0.08 Mts	
CTN Width	0.26 Mts	CTN Weight	1.97 Kg	1 Pcs



INTERNAL DOOR LINERS

Internal Liner Horizontal Door		#89972		
Fits Horizontal Access Door #89970 with adjustable shelf				
304 grade stainless steel construction				
CTN Length	0.66 Mts	CTN Height	0.58 Mts	
CTN Width	0.47 Mts	CTN Weight	15 Kg	1 Pcs



Internal Liner Vertical Door / Combo		#89973		
Fits #89975 / #98552 / #65784 / #25876 with adjustable shelf				
304 grade stainless steel construction				
CTN Length	0.57 Mts	CTN Height	0.58 Mts	
CTN Width	0.47 Mts	CTN Weight	12 Kg	1 Pcs



Internal Liner 76cm Double Door		#74000		
Fits 76cm Double Door #33568 with adjustable shelf				
304 grade stainless steel construction				
CTN Length	0.86 Mts	CTN Height	0.58 Mts	
CTN Width	0.56 Mts	CTN Weight	18 Kg	1 Pcs

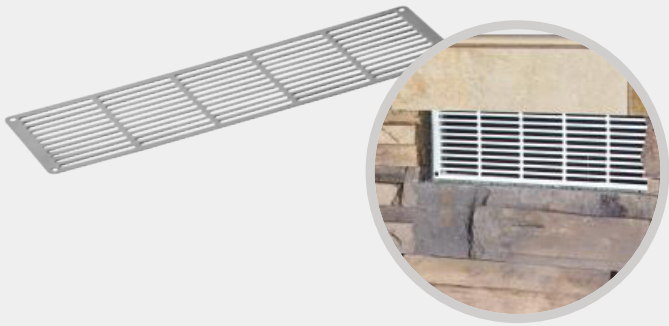


Internal Liner 97cm Double Door		#74100		
Fits 97cm Double Door #34000 with adjustable shelf				
304 grade stainless steel construction				
CTN Length	1.05 Mts	CTN Height	0.58 Mts	
CTN Width	0.56 Mts	CTN Weight	21 Kg	1 Pcs

Internal Liner 97cm Combo		#55877		
Fits 97cm Door / Drawer Combo #55875 with adjustable shelf				
304 grade stainless steel construction				
CTN Length	0.55 Mts	CTN Height	0.59 Mts	
CTN Width	0.57 Mts	CTN Weight	12 Kg	1 Pcs



ISLAND VENTS

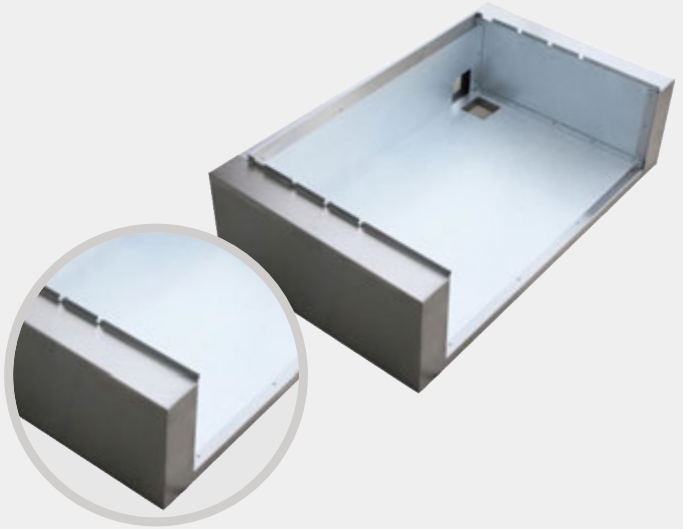


Island Vent Stainless			#42500	
Island Vent Galvanized			#41500	
304 Grade Stainless Steel Construction #52500				
Galvanized Steel Construction #41500				
CTN Length	0.20 Mts	CTN Height	0.10 Mts	
CTN Width	0.15 Mts	CTN Weight	5 Kg	10 Pcs

INSULATED GRILL JACKETS

Insulated Grill Jacket		#47017		
For 76 cm Bull Grills.				
Required only if the kitchen structure is combustible.				
CTN Length	1.02 Mts	CTN Height	0.29 Mts	
CTN Width	0.63 Mts	CTN Weight	24.3 Kg	1 Pcs

Insulated Grill Jacket		#47018		
For 97 cm Bull Grills.				
Required only if the kitchen structure is combustible.				
CTN Length	1.20 Mts	CTN Height	0.30 Mts	
CTN Width	0.62 Mts	CTN Weight	27.6 Kg	1 Pcs



EXTRACTOR HOOD



Extractor Hood for 76cm Grills		#6609CE		
304 Grade Stainless Steel Construction.				
Wall Mounting Hood with Extractor Fan & Speed Contoller.				
Sealed IPX 4 LED Light Fitting. 2 Removable Filters.				
Specifications				
Flow 700 m³/h	Power 0.184kW	220V, 50Hz, 1.8A		
Dimensions			Cut out Dimensions	
L 100cm	D 70 cm	H 43cm	L N/A	D N/A H N/A
CTN Length	1.10 Mts	CTN Height	0.88 Mts	
CTN Width	0.51 Mts	CTN Weight	65 Kg	1 Pcs

Extractor Hood for 97cm Grills		#66098CE		
304 Grade Stainless Steel Construction.				
Wall Mounting Hood with Extractor Fan & Speed Contoller.				
Sealed IPX 4 LED Light Fitting.				
Specifications				
Flow 700 m³/h	Power 0.184kW	220V, 50Hz, 1.8A		
Dimensions			Cut out Dimensions	
L 120 cm	D 70 cm	H 43cm	L N/A	D N/A H N/A
CTN Length	1.30 Mts	CTN Height	0.88 Mts	
CTN Width	0.51 Mts	CTN Weight	75 Kg	1 Pcs



OUTDOOR KITCHENS



It takes **SUPERIOR GRILLS** to make the best
OUTDOOR KITCHENS.... "No one comes close"

BULL®

OUTDOOR KITCHENS



WITH EVERY OUTDOOR KITCHEN
PURCHASED YOU GET:

Care and Maintenance
Tool Box

Waterproof & Breathable
Sumbrella Sunlast Cover



. . . AND WE WILL BRING YOUR OUTDOOR KITCHEN
TO YOUR KERB SIDE



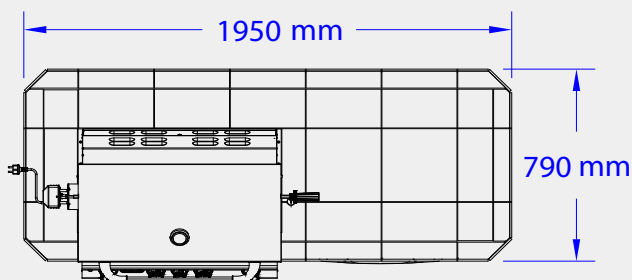
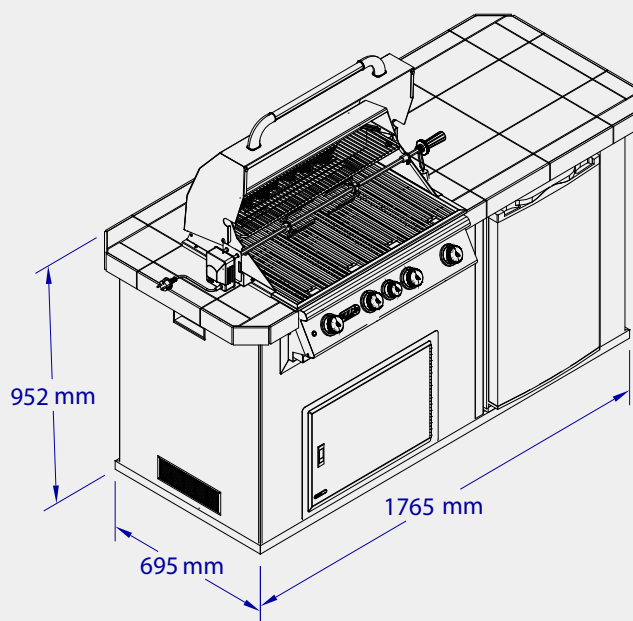
ALL YOU HAVE TO DO IS **PLUG & PLAY**



POWER Q - STANDARD

STANDARD FEATURES	
STUCCO #31006	
Recommended Use.	Commercial / Residential
Grill Type as Standard.	Angus #47628CE #47629CE
Standard Fridge #11002.	✓
Stucco Base Standard.	✓
Tile Top 30cm x 30cm with Bullnose Single Tone or 2-Tone.	✓
Horizontal Access Door with Lock & Key	#89970 ✓
Power outlet & Switch.	✓
Sink & Faucet Standard ✓ or N/A ✗	✗
STRUCTURE DIMENSIONS	
Base Footprint Size.	176 x 70 cm
Top Size.	195 x 79 cm
UPGRADES	
Upgrades and Downgrades of Optional Grills within the same size kitchen structure. Brahma add 102MM to Base and Top.	Bison #88787 Lonestar #87048/9 Brahma #57568/9
Upgrade Base Options	Stucco Rock #12397 Rock/Gres #33004
Upgrade from Tile Top To Solid Gres Coverlam.	#43004
Upgrade Stainless Steel Lining with middle shelf for #89970	#89972
Upgradeable Doors Angus match Codes Only.	Vertical Door #89975 Double Door #33568 Door/Drawer Combo #25876 Trash/Door Combo #65784
Upgrade Lining with adjustable shelf for above.	Vertical Door #89973 Double Door #74000 Combos #89973
Upgradeable Drawers Single Drawer #09970 can only fit with #89970 when under a Grill.	Single Drawer #09970 Large Drawer #09980 Double Drawer #56985 Gas Drawer #55712 Trash Drawer 56925
OPTIONALS	
Grill Frame optional.	#49328
Side Burner optional.	#60008 / #60009
Fridge upgrade.	#13700
Bar Caddy optional.	✗
Cutting Board optional. #66007	✓
Bottle Opener optional #66006.	✓
Large vertical door option for gas bottle insertion from SIDE. No linings possible on face.	#89978 LEFT
WARRANTY DETAILS	
Island Structure.	2 years
Kitchen Top.	2 years
Gas Flexible Hose.	*2 years
*As per international Gas Safety Regulations.	*Must replace every 2 years.
PACKING DIMENSIONS	
Wooden Crate Length.	213 cm
Wooden Crate Width.	92 cm
Wooden Crate Height.	200 cm
Wooden Crate Cube.	3.46 m ³
Complete Crated Weight.	Stucco 270.00Kg Rock 350.00Kg

This Power-Q Outdoor Kitchen is a wonderful addition to any smaller backyard or patio area. It comes standard with a refrigerator to keep your beverages and food cold for all your entertainment needs, while the counter space is great for preparing your favourite recipes.



POWER Q - UPGRADED



TOP	Solid Gres - Titan Antracita	#43004
BASE	Solid Gres - Tempo Antracita	#33004

UPGRADES	ITEM
#25877	76cm Door / Drawer Combo
#69428	64cm Grill Frame
#12403	Change to Steer Grill



TOP	Solid Gres - Oxido Negro	#43004
BASE	Rock - Golden Harvest	#33004

UPGRADES	ITEM
#33569	76cm Double Door
#12405	Premium Outdoor Rated Refrigerator
#49328	76cm Grill Frame



TOP	Solid Gres - Oxido Negro	#43004
BASE	Stucco - Mesa Tan	

UPGRADES	ITEM
#25877	76cm Door / Drawer Combo
#49328	76cm Grill Frame



TOP	Solid Gres - Titan Antracita	#43004
BASE	Solid Gres - Titan Antracita	#33004

UPGRADES	ITEM
#25877	76cm Door / Drawer Combo
#49328	76cm Grill Frame
#89978	Vented Side Door

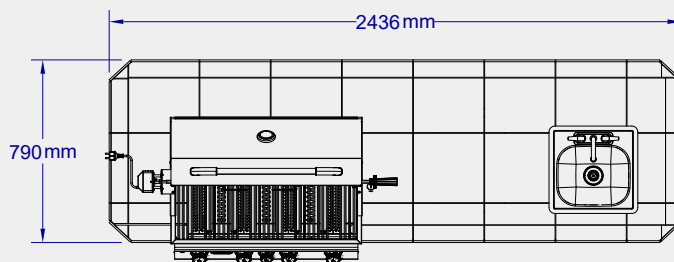
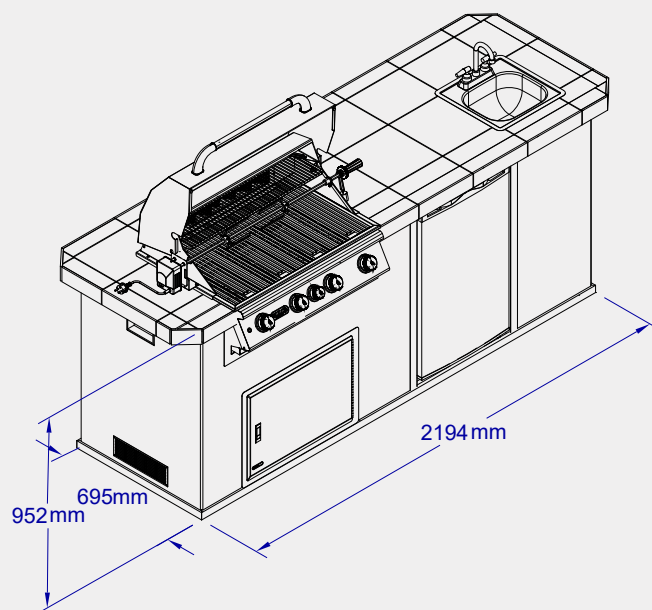


ODK - STANDARD

This Outdoor Kitchen is one of our first and most complete outdoorbarbecuekitchens,providesabackyardentertainment centre and the space to handle all of your outdoor grilling needs. This is the ultimate grilling & entertaining station.



STANDARD FEATURES	
STUCCO #31010	
Recommended Use.	Commercial / Residential
Grill Type as Standard.	Angus #47628CE #47629CE
Standard Fridge #11002.	✓
Stucco Base Standard.	✓
Tile Top 30cm x 30cm with Bullnose Single Tone or 2-Tone.	✓
Horizontal Access Door with Lock & Key	#89970 ✓
Power outlet & Switch.	✓
Sink & Faucet	Standard ✓ or N/A ✗ ✓
STRUCTURE DIMENSIONS	
Base Footprint Size.	220x 70 cm
Top Size.	243 x 79 cm
UPGRADES	
Upgrades and Downgrades of Optional Grills within the same size kitchen structure. Brahma add 102MM to Base and Top.	Bison #88787 Lonestar #87048/9 Brahma #57568/9
Upgrade Base Options	Stucco Rock #12397 Rock/Gres #33006
Upgrade from Tile Top To Solid Gres Coverlam.	#43004
Upgrade Stainless Steel Lining with middle shelf for #89970	#43004
Upgradeable Doors Angus match Codes Only.	Vertical Door #89975 Double Door #33568 Door/Drawer Combo #25876 Trash/Door Combo #65784
Upgrade S/Steel Lining with adjustable shelf for above.	Vertical Door #89973 Double Door #74000 Combos #89973
Upgradeable Drawers Single Drawer #09970 can only fit with #89970 when under a Grill.	Single Drawer #09970 / Large Drawer #09980 Double Drawer #56985 Gas Drawer #55712 Trash Drawer 56925
OPTIONALS	
Grill Frame optional.	#49328
Side Burner optional.	#60008 / #60009
Fridge upgrade.	#13700 / #17900
Bar Caddy optional.	#85624
Cutting Board optional #66007	✗
Bottle Opener optional #66006.	✓
Large vertical door option for gas bottle insertion from SIDE. No linings possible on face.	#89978 RIGHT
WARRANTY DETAILS	
Island Structure.	2 years
Kitchen Top.	2 years
Gas Flexible Hose.	*2 years
*As per international Gas Safety Regulations.	*Must replace every 2 years.
PACKING DIMENSIONS	
Wooden Crate Length.	261 cm
Wooden Crate Width.	100 cm
Wooden Crate Height.	212 cm
Wooden Crate Cube.	5.53 m ³
Complete Crated Weight.	Stucco 400.00Kg Rock 515.00Kg



ODK - UPGRADED



TOP	Solid Gres - Moma Antracita	#43007
BASE	Rock - Grey Stone	#33006

TOP	Solid Gres - Estuario White	#43007
BASE	Solid Gres - Estuario White	#33006

UPGRADES	ITEM
#25877	76cm Door / Drawer Combo
#12405	Premium Outdoor Rated Refrigerator
#60008/9CE	Stainless Steel Side Burner
#49328	76cm Grill Frame

UPGRADES	ITEM
#09970	Single Drawer
#60008/9CE	Stainless Steel Side Burner
#49328	76cm Grill Frame
#89978	Vented Side Door



TOP	Standard Porcelain Tile - Argon Marango	
BASE	Solid Gres - Travertino White	#33006

TOP	Solid Gres - Travertino Antracita	#43007
BASE	Solid Gres - Travertino Antracita	#33006

UPGRADES	ITEM
#25877	76cm Door / Drawer Combo
#49328	76cm Grill Frame

UPGRADES	ITEM
#89976	Right Swing Vertical Door
#15567	Bull Premium Large Sink
#74327	120cm Grill Frame
#12410	Upgrade to 7 Burner

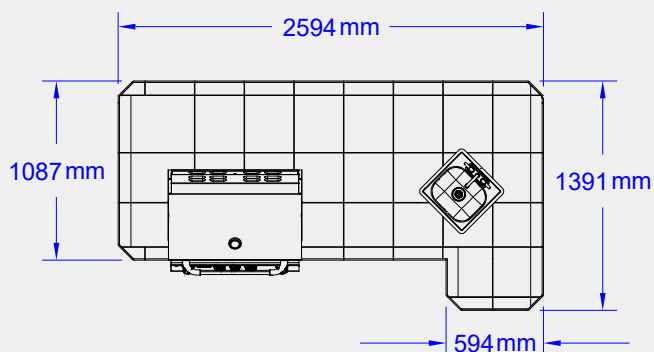
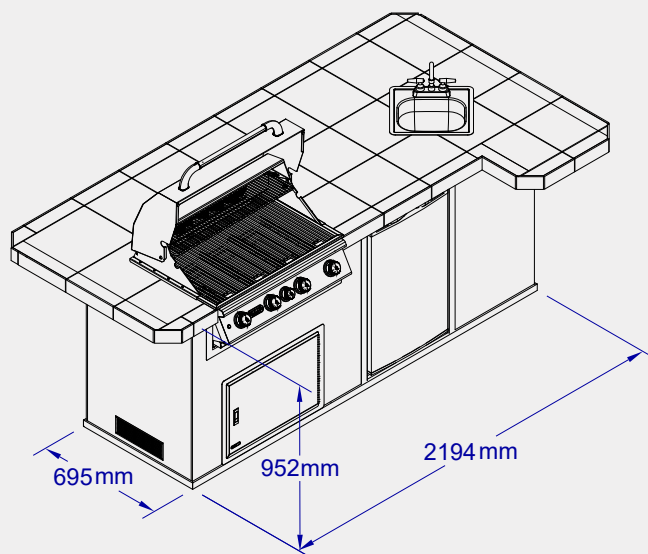


ODK BBQ - STANDARD

The BBQ Outdoor Kitchen is perfect for grilling your favourite recipes.
The "L" shaped BBQ design will become the centre of your outdoor cooking and entertainment.



STANDARD FEATURES	
STUCCO #31014	
Recommended Use.	Commercial / Residential
Grill Type as Standard.	Angus #47628CE #47629CE
Standard Fridge #11002.	✓
Stucco Base Standard.	✓
Tile Top 30cm x 30cm with Bullnose Single Tone or 2-Tone.	✓
Horizontal Access Door with Lock & Key	#89970 ✓
Power outlet & Switch.	✓
Sink & Faucet	Standard ✓ or N/A ✗ ✓
STRUCTURE DIMENSIONS	
Base Footprint Size.	220 x 70 cm
Top Size.	260 x 109 cm
UPGRADES	
Upgrades and Downgrades of Optional Grills within the same size kitchen structure. Brahma add 102MM to Base and Top.	Bison #88787 Lonestar #87048/9 Brahma #57568/9
Upgrade Base Options	Stucco Rock #12397 Rock/Gres #33006
Upgrade from Tile Top To Solid Gres Coverlam.	#43004
Upgrade Stainless Steel Lining with middle shelf for #89970	#43004
Upgradeable Doors Angus match Codes Only.	Vertical Door #89975 Double Door #33568 Door/Drawer Combo #25876 Trash/Door Combo #65784
Upgrade S/Steel Lining with adjustable shelf for above.	Vertical Door #89973 Double Door #74000 Combos #89973
Upgradeable Drawers Single Drawer #09970 can only fit with #89970 when under a Grill.	Single Drawer #09970 / Large Drawer #09980 Double Drawer #56985 Gas Drawer #55712 Trash Drawer 56925
OPTIONALS	
Grill Frame optional.	#49328
Side Burner optional.	#60008 / #60009
Fridge upgrade.	#13700 / #17900
Bar Caddy optional.	#85624
Cutting Board optional. #66007	✓
Bottle Opener optional #66006.	✓
Large vertical door option for gas bottle insertion from SIDE. No linings possible on face.	#89978 RIGHT
WARRANTY DETAILS	
Island Structure.	2 years
Kitchen Top.	2 years
Gas Flexible Hose.	*2 years
*As per international Gas Safety Regulations.	*Must replace every 2 years.
PACKING DIMENSIONS	
Wooden Crate Length.	278 cm
Wooden Crate Width.	100 cm
Wooden Crate Height.	212 cm
Wooden Crate Cube.	5.89 m ³
Complete Crated Weight.	Stucco 400.00Kg Rock 515.00Kg



ODK BBQ - UPGRADED



TOP	Standard Porcelain Tile - BV Paulista
BASE	Stucco Rock - Stoney Creek 12 #12397

UPGRADES	ITEM
#09970	Single Drawer
#12405	Premium Outdoor Rated Refrigerator
#60008/9CE	Stainless Steel Side Burner
#66006	Bottle Opener
#49328	76cm Grill Frame



TOP	Standard Porcelain Tile - AR Marango
BASE	Rock - Grey Stone # 33006

UPGRADES	ITEM
#25877	76cm Door / Drawer Combo
#12405	Premium Outdoor Rated Refrigerator
#60008/9CE	Stainless Steel Side Burner
#49328	76cm Grill Frame

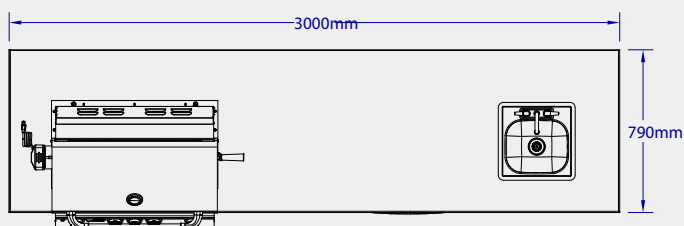
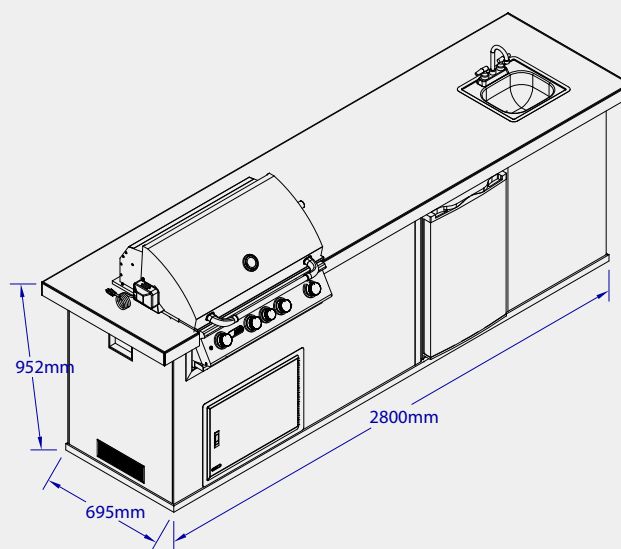


ODK 3Mts - STANDARD

This Outdoor Kitchen is one of our first and most complete outdoor barbecue kitchens, provides a backyard entertainment centre and the space to handle all of your outdoor grilling needs. This is the ultimate grilling & entertaining station.



STANDARD FEATURES	
STUCCO #31013M	
Recommended Use.	Commercial / Residential
Grill Type as Standard.	Angus #47628CE #47629CE
Standard Fridge #11002.	✓
Stucco Base Standard.	✓
Tile Top 30cm x 30cm with Bullnose Single Tone or 2-Tone.	✓
Horizontal Access Door with Lock & Key	#89970 ✓
Power outlet & Switch.	✓
Sink & Faucet	Standard ✓ or N/A ✗
STRUCTURE DIMENSIONS	
Base Footprint Size.	280 x 70 cm
Top Size.	300 x 80 cm
UPGRADES	
Upgrades and Downgrades of Optional Grills within the same size kitchen structure.	ALL GRILLS
Upgrade Base Options	Stucco Rock #12397 Rock/Gres #33006
Upgrade from Tile Top To Solid Gres Coverlam.	#43004
Upgrade Stainless Steel Lining with middle shelf for #89970	#43004
Upgradeable Doors Angus match Codes Only.	Vertical Door #89975 Double Door #33568 Door/Drawer Combo #25876 Trash/Door Combo #65784
Upgrade S/Steel Lining with adjustable shelf for above.	Vertical Door #89973 Double Door #74000 Combos #89973
Upgradeable Drawers Single Drawer #09970 can only fit with #89970 when under a Grill.	Single Drawer #09970 / Large Drawer #09980 Double Drawer #56985 Gas Drawer #55712 Trash Drawer 56925
OPTIONALS	
Grill Frame optional.	#49328
Side Burner optional.	#60008 / #60009
Fridge upgrade.	#13700 / #17900
Bar Caddy optional.	#85624
Cutting Board optional. #66007	✓
Bottle Opener optional #66006.	✓
Large vertical door option for gas bottle insertion from SIDE. No linings possible on face.	#89978 RIGHT
WARRANTY DETAILS	
Island Structure.	2 years
Kitchen Top.	2 years
Gas Flexible Hose.	*2 years
*As per international Gas Safety Regulations.	*Must replace every 2 years.
PACKING DIMENSIONS	
Wooden Crate Length.	278 cm
Wooden Crate Width.	100 cm
Wooden Crate Height.	212 cm
Wooden Crate Cube.	5.89 m ³
Complete Crated Weight.	Stucco 400.00Kg Rock 515.00Kg



ODK 3Mts - UPGRADED



TOP	Solid Gres - Moma Antracita #43013
BASE	Solid Gres - Moma Antracita #33013

TOP	Solid Gres - Moma Antracita #43013
BASE	Solid Gres - Tempo Antracita #33013

UPGRADES	ITEM
#25877	76cm Door / Drawer Combo
#12405	Premium Outdoor Rated Refrigerator
#56985	Double Drawer
#30008/9CE	Slide in Double Side Burner
#66006	Bottle Opener
#89976	Right Swing Vertical Door
#49328	76cm Grill Frame
#93007	34cm Finishing Frame

UPGRADES	ITEM
#33569	76cm Double Door
#12405	Premium Outdoor Rated Refrigerator
#56985	Double Drawer
#30008/9CE	Slide in Double Side Burner
#56925	Large Pull Out Trash Drawer
#00000	Change Grill to Bison Premium
#49328	76cm Grill Frame
#93007	34cm Finishing Frame



TOP	Solid Gres - Moma Antracita #43013
BASE	Solid Gres - Tempo Antracita #33013

TOP	Solid Gres - Moma Antracita #43013
BASE	Solid Gres - Tempo Antracita #33013

UPGRADES	ITEM
#25876	76cm Door Drawer Combo
#89970	Slide in Double Side Burner
#89975	Right Swing Vertical Door
#13700CE	Outdoor Rated Fridge
#12400	Upgrade to Brahma Grill

UPGRADES	ITEM
#25877	76cm Door / Drawer Combo
#12405	Premium Outdoor Rated Refrigerator
#56925	Large Pull Out Trash Drawer
#60008/9CE	Stainless Steel Side Burner
#66006	Bottle Opener
#49328	76cm Grill Frame



ODK - STD 3 METRES UPGRADED



UPGRADES	ITEM
#25877	76cm Door / Drawer Combo
#60008/9CE	Side Burner /Drop in Design
#89976	Right Swing Vertical door



UPGRADES	ITEM
#09970	Single Drawer
#30008/9CE	Slide in Double Side Burner
#56985	Double Drawer
#12405	Premium Outdoor Rated Refrigerator



UPGRADES	ITEM
#65785	Gas Tank Door/Door Combo
#56985	Double Drawer



UPGRADES	ITEM
#33569	76cm Double Door
#30008/9CE	Slide in Double Side Burner
#56985	Double Drawer
#56925	Large Pull Out Trash Drawer
#12405	Premium Outdoor Rated Refrigerator
#12404	Change to Bison Grill



UPGRADES	ITEM
#25877	76cm Door / Drawer Combo
#30008/9CE	Slide in Double Side Burner
#89976	Right Swing Vertical Door
#12405	Premium Outdoor Rated Refrigerator

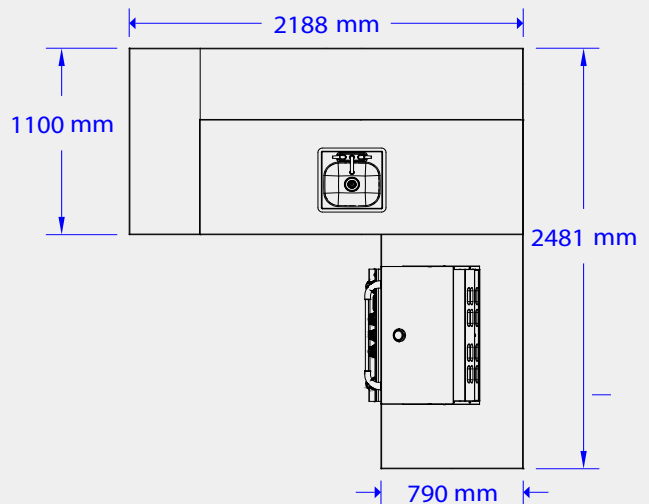
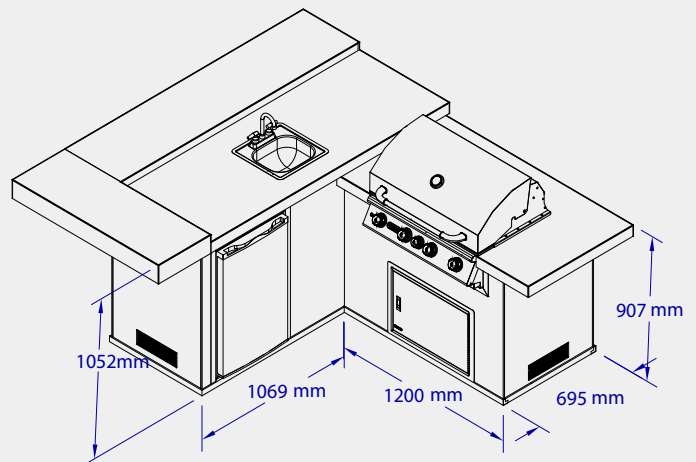


UPGRADES	ITEM
#25877	76cm Door / Drawer Combo
#30008/9CE	Slide in Double Side Burner
#89976	Right Swing Vertical Door
#12405	Premium Outdoor Rated Refrigerator
#17845	Upgrade to Diablo Grill

STANDARD FEATURES	
STUCCO #31022	
Recommended Use.	Commercial / Residential
Grill Type as Standard.	Angus #47628CE #47629CE
Standard Fridge #11002.	✓
Stucco Base Standard.	✓
Tile Top 30cm x 30cm with Bullnose Single Tone or 2-Tone.	✓
Horizontal Access Door with Lock & Key	#89970 ✓
Power outlet & Switch.	✓
Sink & Faucet Standard ✓ or N/A ✗	✗
STRUCTURE DIMENSIONS	
Base Footprint Size.	189 x 177 cm
Top Size.	247 x 218 cm
UPGRADES	
Upgrades and Downgrades of Optional Grills within the same size kitchen structure. Brahma add 102MM to Base and Top.	Bison #88787 Lonestar #87048/9 Brahma #57568/9
Upgrade Base Options	Stucco Rock #12397 Rock/Gres #33014
Upgrade from Tile Top To Solid Gres Coverlam.	#43010
Upgrade Stainless Steel Lining with shelf for #89970	#43004
Upgradeable Doors Angus match Codes Only.	Vertical Door #89975 Double Door #33568 Door/Drawer Combo #25876 Trash/Door Combo #65784
Upgrade S/Steel Lining with adjustable shelf for Above.	Vertical Door #89973 Double Door #74000 Combos #89973
Upgradeable Drawers Single Drawer #09970 can only fit with #89970 when under a Grill.	Single Drawer #09970 / Large Drawer #09980 Double Drawer #56985 Gas Drawer #55712 Trash Drawer 56925
OPTIONALS	
Grill Frame optional.	#49328
Side Burner optional.	#60008 / #60009
Fridge optional.	#13700 / #17900
Bar Caddy optional.	#85624
Cutting Board optional. #66007	✓
Bottle Opener optional #66006.	✓
Large vertical door option for gas bottle insertion from SIDE. No linings possible on face.	#89978 RIGHT
WARRANTY DETAILS	
Island Structure.	2 years
Kitchen Top.	2 years
Gas Flexible Hose.	*2 years
*As per international Gas Safety Regulations.	*Must replace every 2 years.
PACKING DIMENSIONS	
Wooden Crate Length.	240/160 cm
Wooden Crate Width.	100/100 cm
Wooden Crate Height.	212 cm
Wooden Crate Cube.	8.50 m ³
Complete Crated Weight.	Stucco 450.00Kg Rock 550.00Kg

JR - GOURMET Q

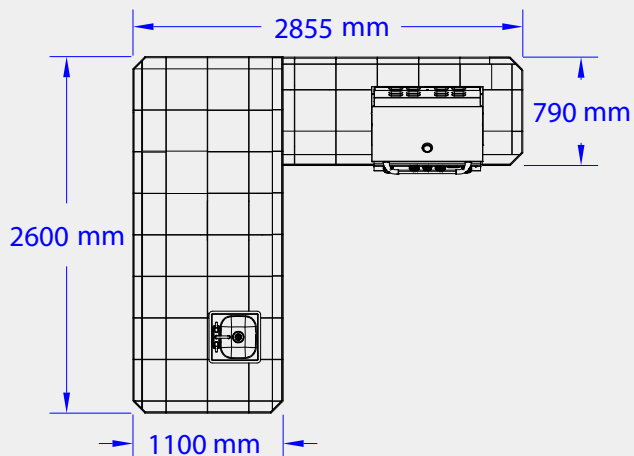
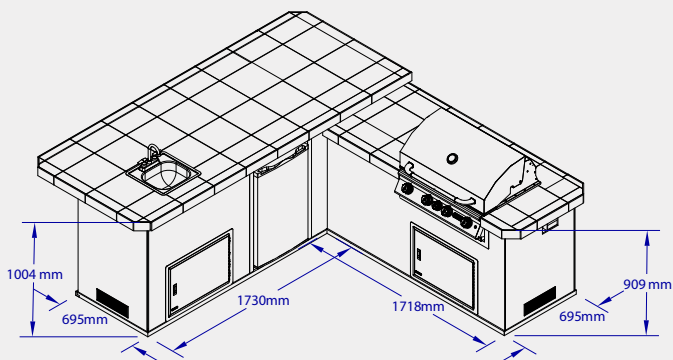
The Jr Gourmet Q - Outdoor Island Kitchen and its ample bar area can seat up to 4 people comfortably. Its smaller "L" shaped design allows for great outdoor entertainment or just simply creating your favourite recipes in a wonderful outdoor setting.



STANDARD FEATURES	
STUCCO #31020	
Recommended Use.	Commercial / Residential
Grill Type as Standard.	Angus #47628CE #47629CE
Standard Fridge #11002.	✓
Stucco Base Standard.	✓
Tile Top 30cm x 30cm with Bullnose Single Tone or 2-Tone.	✓
Horizontal Access Door with Lock & Key	#89970 ✓
Power outlet & Switch.	✓
Sink & Faucet	Standard ✓ or N/A ✗
STRUCTURE DIMENSIONS	
Base Footprint Size.	239x 237 cm
Top Size.	288 x 260 cm
UPGRADES	
Upgrades and Downgrades of Optional Grills within the same size kitchen structure. Brahma add 102MM to Base and Top.	ALL GRILLS
Upgrade Base Options	Stucco Rock #12397 Rock/Gres #33015
Upgrade from Tile Top To Solid Gres Coverlam.	#43010
Upgrade Stainless Steel Lining with middle shelf for #89970	#43003
Upgradeable Doors Angus match Codes Only.	Vertical Door #89975 Double Door #33568 Door/Drawer Combo #25876 Trash/Door Combo #65784
Upgrade S/Steel Lining with adjustable shelf for above.	Vertical Door #89973 Double Door #74000 Combos #89973
Upgradeable Drawers Single Drawer #09970 can only fit with #89970 when under a Grill.	Single Drawer #09970 / Large Drawer #09980 Double Drawer #56985 Gas Drawer #55712 / Trash Drawer 56925
OPTIONALS	
Grill Frame optional.	#49328
Side Burner optional.	#60008 / #60009
Fridge upgrade.	#13700
Bar Caddy optional.	#85624
Cutting Board optional. #66007	✓
Bottle Opener optional #66006.	✓
Large vertical door option for gas bottle insertion from SIDE. No linings possible on face.	#89978 LEFT
WARRANTY DETAILS	
Island Structure.	2 years
Kitchen Top.	2 years
Gas Flexible Hose.	*2 years
*As per international Gas Safety Regulations.	*Must replace every 2 years.
PACKING DIMENSIONS	
Wooden Crate Length.	263/180 cm
Wooden Crate Width.	100/92 cm
Wooden Crate Height.	202/202 cm
Wooden Crate Cube.	8.70 m ³
Complete Crated Weight.	Stucco 750.00Kg Rock 990.00Kg

GOURMET Q

The Gourmet Q Outdoor Island Kitchen is the largest of our islands. Its spacious bar area is perfect for a luxurious outdoor dining experience and ideal for entertaining. With its ample space for seating you can serve up your favourite grilling recipes in style.

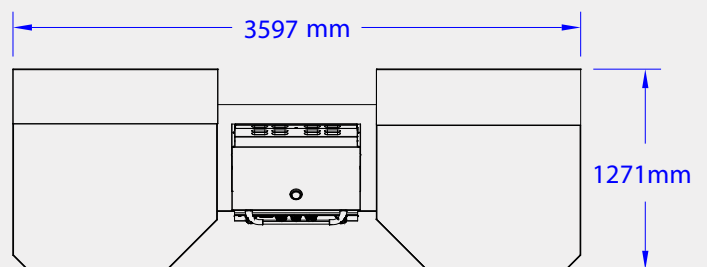
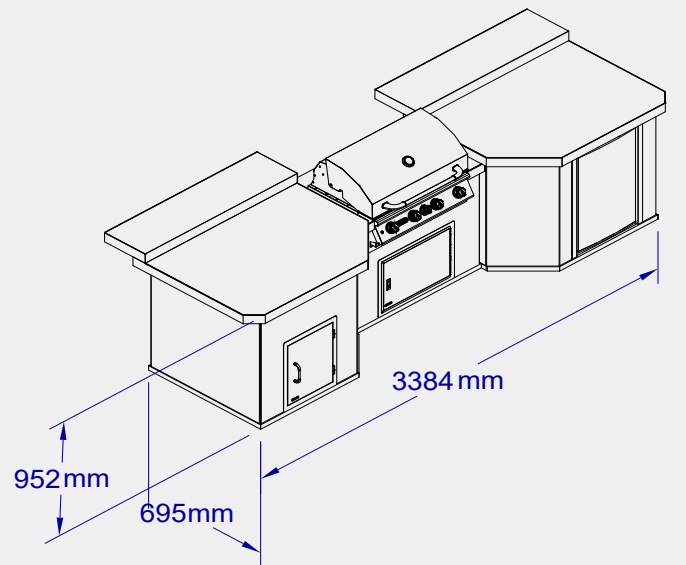


MEGA - Q

One of our newest and largest islands, the Mega Q Outdoor Island Kitchen is the ultimate grilling station.



STANDARD FEATURES	
STUCCO #31083	
Recommended Use.	Commercial / Residential
Grill Type as Standard.	Angus #47628CE #47629CE
Standard Fridge #11002.	✓
Stucco Base Standard.	✓
Tile Top 30cm x 30cm with Bullnose Single Tone or 2-Tone.	✓
Horizontal Access Door with Lock & Key	#89970 ✓
Power outlet & Switch.	✓
Sink & Faucet Standard ✓ or N/A ✗	✗
STRUCTURE DIMENSIONS	
Base Footprint Size.	323 x 95 cm
Top Size.	342 x 127 cm
UPGRADES	
Upgrades and Downgrades of Optional Grills within the same size kitchen structure. Brahma add 102MM to Base and Top.	Bison #88787 Lonestar #87048/9 Brahma #57568/9
Upgrade Base Options	Stucco Rock #12397
Upgrade from Tile Top To Solid Gres Coverlam.	#43010
Upgrade Stainless Steel Lining with middle shelf for #89970	#43003
Upgradeable Doors Angus match Codes Only.	Vertical Door #89975 Double Door #33568 Door/Drawer Combo #25876 Trash/Door Combo #65784
Upgrade S/Steel Lining with adjustable shelf for above.	Vertical Door #89973 Double Door #74000 Combos #89973
Upgradeable Drawers Single Drawer #09970 can only fit with #89970 when under a Grill.	Single Drawer #09970 / Large Drawer #09980 Double Drawer #56985 Gas Drawer #55712 Trash Drawer 56925
OPTIONALS	
Grill Frame optional.	#49328
Side Burner optional.	#60008 / #60009
Fridge optional.	#13700 / #17900
Bar Caddy optional.	#85624
Cutting Board optional. #66007	✓
Bottle Opener optional #66006.	✓
Large vertical door option for gas bottle insertion from SIDE. No linings possible on face.	#89978 LEFT
WARRANTY DETAILS	
Island Structure.	2 years
Kitchen Top.	2 years
Gas Flexible Hose.	*2 years
*As per international Gas Safety Regulations.	*Must replace every 2 years.
PACKING DIMENSIONS	
Wooden Crate Length.	146/146/126 cm
Wooden Crate Width.	140/140/120 cm
Wooden Crate Height.	203 cm
Wooden Crate Cube.	10.57 m ³
Complete Crated Weight.	Stucco 830.00Kg



CUSTOM KITCHENS

MEGA Q UPGRADED



ODK - CUSTOM 3 Mts COMBO ANGUS / PIZZA



ODK - CUSTOM 4.5 Mts COMBO BISON / ANGUS



ODK - CUSTOM 3.5Mts Bar Ceter

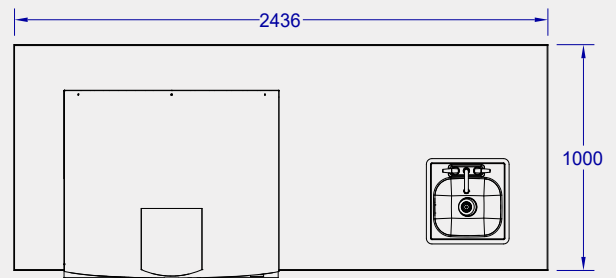
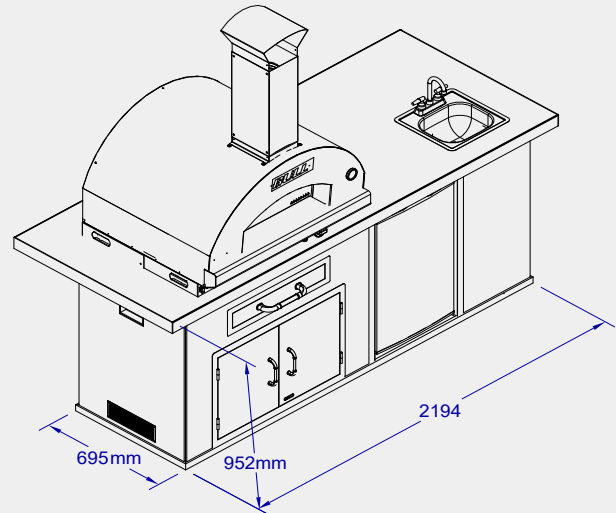


ODK - CUSTOM 3Mts



PIZZA - Q ISLAND

The new Pizza Q Outdoor Island Kitchen is built for the ultimate pizza party. Our new wood-fired oven is built in Italy with solid welded construction, steel & electro galvanized steel. This pre-assembled oven sits in a very functional structure that has seating at both ends of the bar.



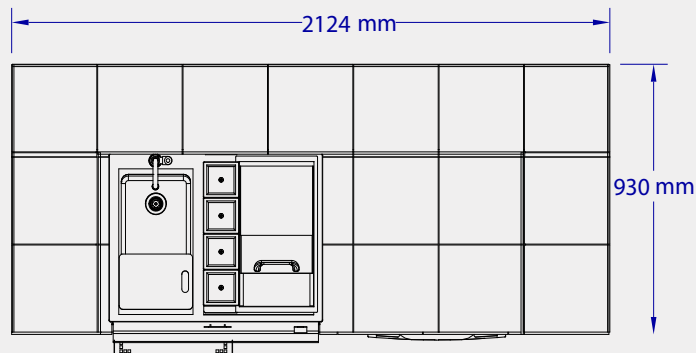
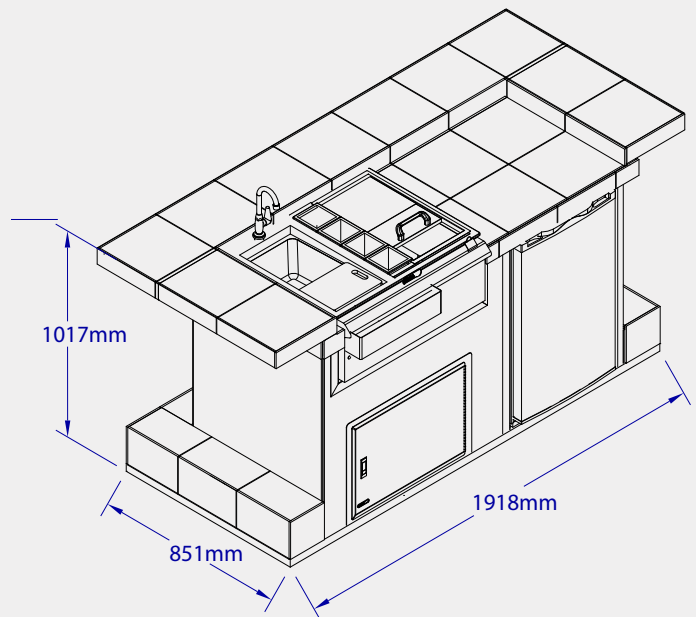
STANDARD FEATURES	
STUCCO #31099 / Rock/Gres #31100	
Recommended Use.	Commercial / Residential
Grill Type as Standard.	#66024
Standard Fridge #11002.	✓
Stucco Base Standard.	✓
Tile Top 30cm x 30cm with Bullnose Single Tone or 2-Tone.	✗
Horizontal Access Door with Lock & Key	#89970 ✓
Power outlet & Switch.	✗
Sink & Faucet Standard ✓ or N/A ✗	✓
STRUCTURE DIMENSIONS	
Base Footprint Size.	206 x 65 cm
Top Size.	206 x 100 cm
UPGRADES	
Upgrades and Downgrades of Optional Pizza Ovens within the same size kitchen structure.	#66040 XL Wood Oven #66124CE Large Gas Oven #66140CE XL Gas Oven
Upgrade Base Options	Stucco Rock #12397 Base tile Trim Upgrade #12406
Upgrade from Tile Top To Solid Gres Coverlam and Stainless Steel Bullnose.	#43010
Upgrade Stainless Steel Lining with middle shelf for #89970	#43003
Upgradeable Doors Angus match Codes Only.	✗
Upgrade S/Steel Lining with middle shelf for Above.	Vertical Door #89973
Upgradeable Drawers Single Drawer#09970 can fit only with #89970 when under a Grill.	✗
OPTIONALS	
Grill Frame optional.	✗
Side Burner optional.	✗
Fridge optional.	✗
Bar Caddy optional.	✗
Cutting Board optional.	✗
Bottle Opener optional #66006.	✓
Large vertical door option for gas bottle insertion from SIDE. No linings possible on face.	✗
WARRANTY DETAILS	
Island Structure.	2 years
Kitchen Top.	2 years
Gas Flexible Hose.	*2 years
*As per international Gas Safety Regulations.	*Must replace every 2 years.
PACKING DIMENSIONS	
Wooden Crate Length.	260 cm
Wooden Crate Width.	100 cm
Wooden Crate Height.	202 cm
Wooden Crate Cube.	5.25 cm
Complete Crated Weight.	Stucco 300.00Kg Rock 380.00Kg



ENTERTAINERS - BAR

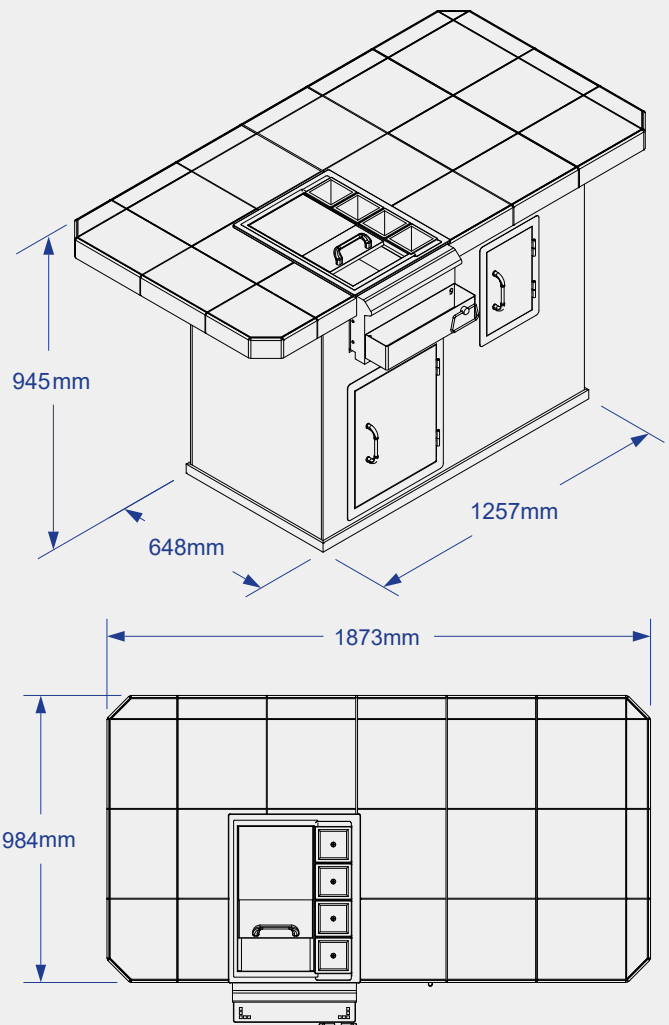
STANDARD FEATURES	
STUCCO #31031 / ROCK/GRES #31032	
Recommended Use.	Commercial / Residential
Grill Type as Standard.	✗
Standard Fridge #11002.	✓
Stucco Base Standard.	✓
Rock / Gres Base Standard.	#31032 Only
Tile Top 30cm x 30cm with Bullnose Single Tone or 2-Tone.	✓
Horizontal Access Door with Lock & Key #89970	✓
Power outlet & Switch.	✗
Bar Center Standard ✓ or N/A ✗	#97623
STRUCTURE DIMENSIONS	
Base Footprint Size.	192 x 85 cm
Top Size.	213 x 93 cm
UPGRADES	
Upgrades and Downgrades of Optional Grills within the same size kitchen structure. Brahma add 102MM to Base and Top.	✗
Upgrade Base Options	Stucco Rock #12397 Base tile Trim Upgrade #12406
Upgrade from Tile Top To Solid Gres Coverlam and Stainless Steel Bullnose.	#43010
Upgrade Stainless Steel Lining with middle shelf for #89970	#43003
Upgradeable Doors	Double Doors #33568 Dr/Drw Combo #25876 Trash/Door Combo #65785
Upgrade S/Steel Lining with middle shelf for Above.	Double Doors #74000 Combos #89973
Upgradeable Drawers Single Drawer #09970 can only fit with #89970 when under a Bar Centre.	Single Drawer #09970
OPTIONALS	
Grill Frame optional.	✗
Side Burner optional.	✗
Fridge optional.	#13700CE
Bar Caddy optional.	✗
Cutting Board optional.	✗
Bottle Opener optional #66006.	✗
Large vertical door option for gas bottle insertion from SIDE. No linings possible on face.	✗
WARRANTY DETAILS	
Island Structure.	2 years
Kitchen Top.	2 years
Gas Flexible Hose.	✗
*As per international Gas Safety Regulations.	✗
PACKING DIMENSIONS	
Wooden Crate Length.	261cm
Wooden Crate Width.	100 cm
Wooden Crate Height.	115 cm
Wooden Crate Cube.	3.61 m ³
Complete Crated Weight.	Stucco 300.00Kg Rock 380.00Kg

The Entertainer's Bar is a wonderful choice for those looking to have guests over for cocktails. This bar also includes plenty of counterspace for appetizers or whatever you choose to serve your guests.



POWER - BAR

The Power Bar - Outdoor Island is a great place to gather around with friends and family for refreshments. This Island comfortably seats 4 adults. The 458mm Bar Centre is the perfect place to chill your favourite drinks and condiments.



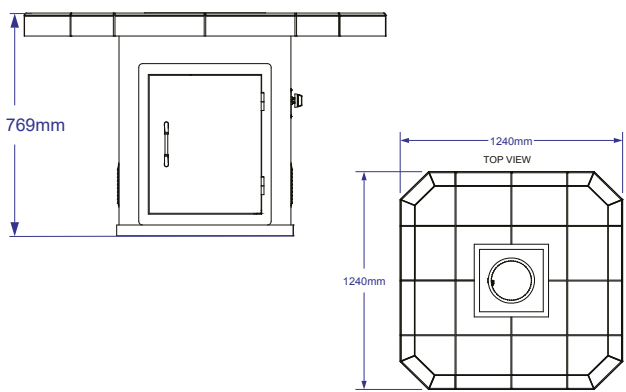
STANDARD FEATURES	
STUCCO #31047 / ROCK/GRES #31048	
Recommended Use.	Commercial / Residential
Grill Type as Standard.	✗
Standard Fridge #11002.	✗
Stucco Base Standard.	✓
Rock / Gres Base Standard.	#31048 Only
Tile Top 30cm x 30cm with Bullnose Single Tone or 2-Tone.	✓
Horizontal Access Door with Lock & Key	#89970 ✓
Power outlet & Switch.	✗
Sink & Faucet Standard ✓ or N/A ✗	#85624
STRUCTURE DIMENSIONS	
Base Footprint Size.	126 x 65 cm
Top Size.	188 x 99 cm
UPGRADES	
Upgrades and Downgrades of Optional Grills within the same size kitchen structure. Brahma add 102MM to Base and Top.	✗
Upgrade Base Options	Stucco Rock #12397/ Base tile Trim Upgrade #12406
Upgrade from Tile Top To Solid Gres Coverlam and Stainless Steel Bullnose.	#43010
Upgrade Stainless Steel Lining with middle shelf for #89970	#LINHD
Upgradeable Doors	#89975 #98552
Upgrade S/Steel Lining with middle shelf for Above.	Vertical Door #89973
Upgradeable Drawers Single Drawer #09970 can only fit with #89970 when under a Bar Centre.	✗
OPTIONALS	
Grill Frame optional.	✗
Side Burner optional.	✗
Fridge optional.	✗
Bar Caddy optional.	✗
Cutting Board optional.	✗
Bottle Opener optional #66006.	✓
Large vertical door option for gas bottle insertion from SIDE. No linings possible on face.	✗
WARRANTY DETAILS	
Island Structure.	2 years
Kitchen Top.	2 years
Gas Flexible Hose.	*2 years
*As per international Gas Safety Regulations.	*Must replace every 2 years.
PACKING DIMENSIONS	
Wooden Crate Length.	140 cm
Wooden Crate Width.	100 cm
Wooden Crate Height.	115 cm
Wooden Crate Cube.	1.61 m ³
Complete Crated Weight.	Stucco 300.00Kg - Rock 400.00Kg



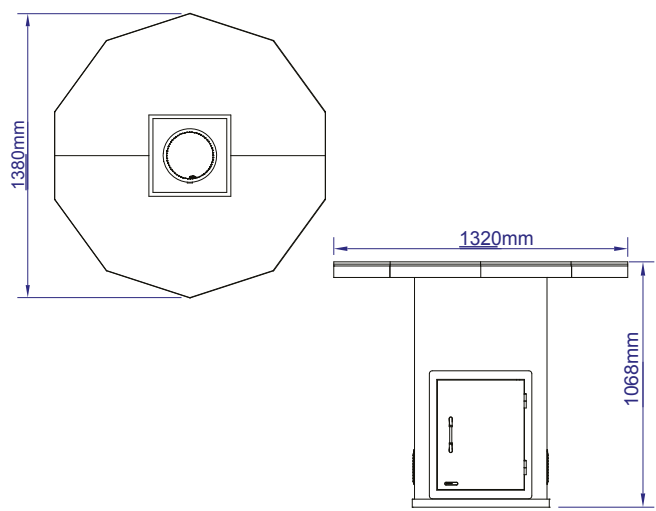
OUTDOOR FIRE TABLES



SQUARE LOW FIRE TABLE



DECAGON BAR FIRE TABLE



Fire Table shown in Boulevard Paulista/Andrassy Tile
 Upgrade Stucco Rock SR12 Stony Creek #3341 Tempered Glass #03341
 Available in Natural Gas or Propane

Base Finishes: Stucco (Standard)



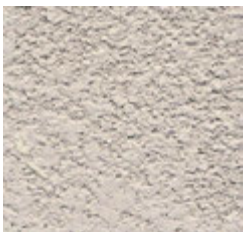
Cream - 9312



Blue Gray - 68

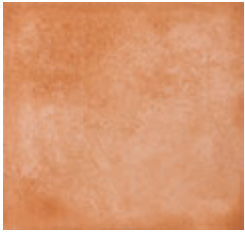


Aspin - 90



Mesa Tan - 9315

Porcelain Tile Tops (Standard)



AB Cotto



AB Paja

ABADIA



AR Marango



AR Perla

ARGON



BV Reforma



BV Gracia



BV Paulista



BV Andrassy

BOULEVARD



HS Noce



HS Beige



HS Cream



HS Grey

HOMESTEAD

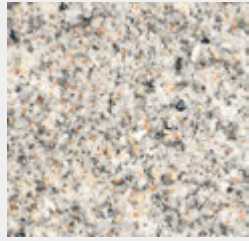


OUTDOOR KITCHEN FINISHES

Base Finishes: Stucco Rock (Option)



Stony Creek - 12



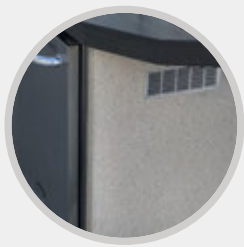
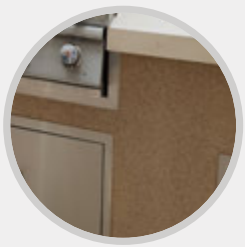
White Ash - 14



Champagne Grey - 16



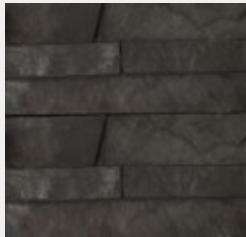
River Rock - 15



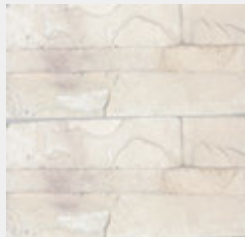
Base Finishes: Rock (Option)



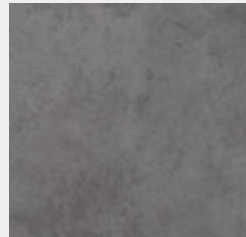
Golden Harvest



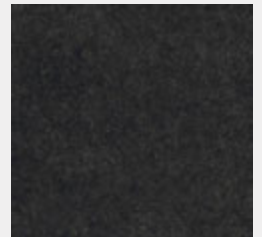
Grey Stone



Mesa white

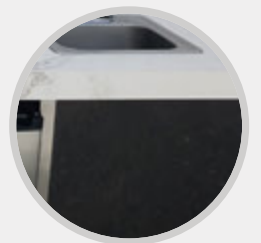
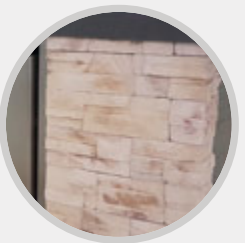
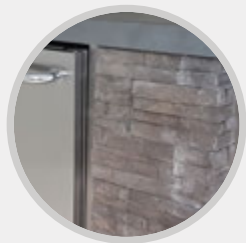


Tempo Antracita



Bluestone Negro

Gres (Option)



** Due to potential colour differences among computer monitors & printers we cannot guarantee that the colour you see on page is an exact colour reproduction of finished product. Colours may also vary between product lot numbers.

Solid Gres Upgrades for Tops or Bases

GRESPANIA COVERLAM
CERAMICA 3.5mm



CL Travertino White



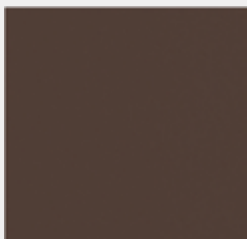
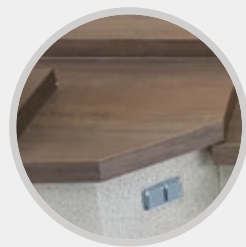
CL Estuario White



CL Supremo Pulido (Polished)



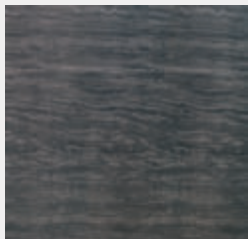
CL Nogal Wood



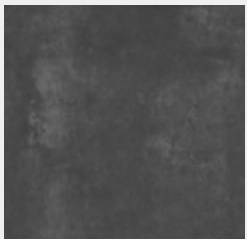
CL Basic Tobaco



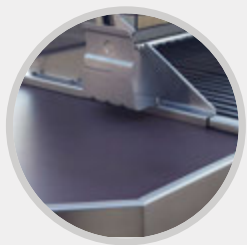
CL Oxido Negro



CL Travertino Antracita



CL Moma Antracita



** Due to potential colour differences among computer monitors & printers we cannot guarantee that the colour you see on page is an exact colour reproduction of finished product. Colours may also vary between product lot numbers.



PIZZA ACCESSORIES



Bull® Pizza Stone for Grill			# 24125	
Refractory stone.				
Stainless steel base with thermometer.				
CTN Length	0.44 Mts	CTN Height	0.16 Mts	
CTN Width	40.0 Mts	CTN Weight	4.50 Kg	2 Pcs



Bull® Pizza Stone Scrubber			# 24127	
Stainless steel bristles.				
Ergonomic handle.				
CTN Length	0.47 Mts	CTN Height	0.16 Mts	
CTN Width	0.12.5 Mts	CTN Weight	2.00 Kg	6 Pcs



Bull® Pizza Cutter			# 24128	
Stainless steel Blade.				
Wood handle.				
CTN Length	0.38 Mts	CTN Height	0.08 Mts	
CTN Width	0.15 Mts	CTN Weight	2.21 Kg	4 Pcs



Bull® 382mm Pizza Stone			# 24208	
Refractory stone.				
CTN Length	0.46 Mts	CTN Height	0.17 Mts	
CTN Width	0.45 Mts	CTN Weight	12.0 Kg	3 Pcs



Bull® Hardwood Rolling Pin			# 24222	
Silicon rings for 3mm crust.				
CTN Length	0.49 Mts	CTN Height	0.15 Mts	
CTN Width	0.11 Mts	CTN Weight	3.29 Kg	6 Pcs



Bull® Wood Pizza Peel			# 24224	
All wood.				
CTN Length	0.38 Mts	CTN Height	0.75 Mts	
CTN Width	0.62 Mts	CTN Weight	4.49 Kg	4 Pcs



Bull® Professional Pizza Tools Kit with Black Powder Coated Stand			# 66035	
Professional Grade Aluminum Tools with 1mtr Handle & Wood Grip				
Contains Turning Peel, Ash Shovel, Brass Bristle Brush, Ember Mover, Scraper				
CTN Length	1.40 Mts	CTN Height	0.40 Mts	
CTN Width	0.40 Mts	CTN Weight	15 Kg	1 Pcs



GRILLING ACCESSORIES



GRILLING TOOLS

Bull® Spatula		#24101		
Stainless Steel construction with contoured Wood handle and Built-in Bottle Opener.				
CTN Length	0.56 Mts	CTN Height	0.9 Mts	
CTN Width	0.21 Mts	CTN Weight	3.10 Kg	6 Pcs



Bull® Tongs		#24102		
Stainless Steel construction with contoured Wood Grip.				
CTN Length	0.47 Mts	CTN Height	0.26 Mts	
CTN Width	0.11 Mts	CTN Weight	3.24 Kg	6 Pcs



Bull® Big Head Grill Brush		#24103		
Stainless Steel Construction with contoured handle & replaceable oversized brush head #24235.				
CTN Length	0.51 Mts	CTN Height	0.28 Mts	
CTN Width	0.12 Mts	CTN Weight	3.41 Kg	6 Pcs

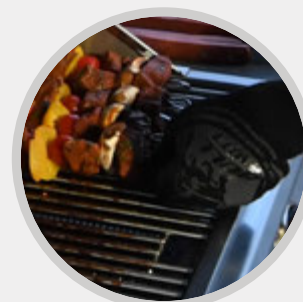


Bull® Basting Brush with Silicone Head		#24130		
Wood Handle with Silicon removable Head Brush for easy cleaning.				
CTN Length	0.41 Mts	CTN Height	0.12 Mts	
CTN Width	0.15 Mts	CTN Weight	1.60 Kg	12 Pcs



GRILLING TOOLS

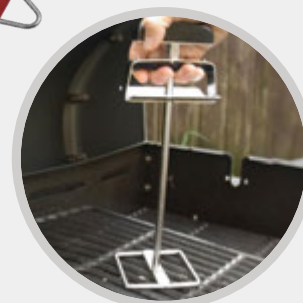
Pit Mit® - The Ultimate BBQ Mitt			#24134	
Pit Mit Gloves withstands extreme heat up to 246 degree Celsius.				
Reversible to fit both left or right hands, With Silicone Bull Logo.				
CTN Length	0.38 Mts	CTN Height	0.10 Mts	
CTN Width	0.18 Mts	CTN Weight	1.03 Kg	6 Pcs



Bull® Grill Scraper			# 24142	
Tailored to fit Bull Grill Grates.				
CTN Length	0.52 Mts	CTN Height	0.8 Mts	
CTN Width	0.15 Mts	CTN Weight	2.41 Kg	12 Pcs



Bull® Grill Grate Lifter			# 24145	
S/Steel Construction, Heat Shield protects hands from the heat, Sturdy enough to lift heavy Stainless Steel and Cast Iron Grates.				
CTN Length	0.35 Mts	CTN Height	0.38 Mts	
CTN Width	0.15 Mts	CTN Weight	3.43 Kg	6 Pcs



Bull® Hardwood Long Handle Tongs			# 24282	
S/Steel Construction, The saw tooth design is great for handling delicate fish or juicy steaks. it's a must have for your outdoor kitchen.				
CTN Length	0.23 Mts	CTN Height	0.20 Mts	
CTN Width	0.56 Mts	CTN Weight	14 Kg	24 Pcs



GRILLING TOOLS

Bull® Hardwood Long Handle Knife # 24283

S/Steel Construction. With the long handled feature the Bull Grill Master Knife will allow you to carve right off the BBQ.

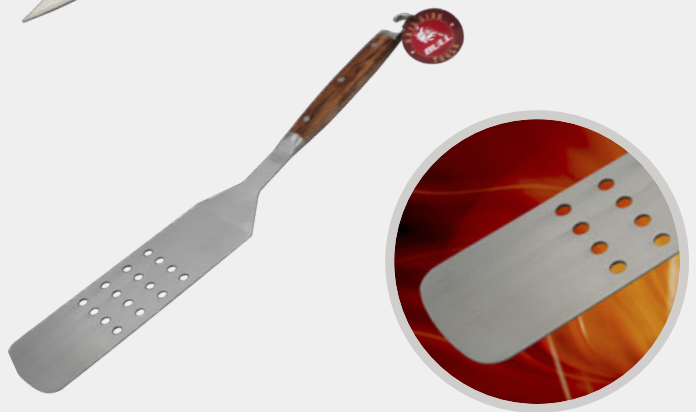
CTN Length	0.13 Mts	CTN Height	0.15 Mts	
CTN Width	0.54 Mts	CTN Weight	7.10 Kg	24 Pcs



Bull® Hardwood Long Handle Spatula # 24284

S/Steel Construction. The perforated elongated design is great for handling delicate fish or juicy burgers.

CTN Length	0.28 Mts	CTN Height	0.18 Mts	
CTN Width	0.53 Mts	CTN Weight	10.20 Kg	24 Pcs



GRILLING AIDS

Bull® Marinade Injector # 24205

Long S/Steel Needle that allows for easy injection of flavours for grilling the perfect meat.

CTN Length	0.23 Mts	CTN Height	0.22 Mts	
CTN Width	0.12 Mts	CTN Weight	1.45 Kg	12 Pcs



Bull® Bamboo Chopping Block # 52565

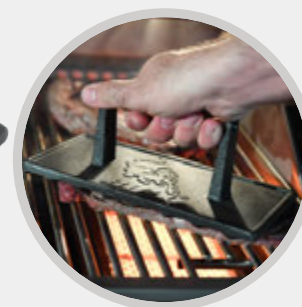
Extremely durable, less prone to bacteria composed of natural bamboo and can handle the toughest cutting and chopping jobs.

CTN Length	0.58 Mts	CTN Height	0.6 Mts	
CTN Width	0.40 Mts	CTN Weight	5.5 Kg	1 Pcs



GRILLING AIDS

Bull® Cast Iron Rectangular Grill Press			#24132	
Cast Iron Construction, measuring 11.5 cm W x 23 cm L.				
Wood handle.				
CTN Length	0.34 Mts	CTN Height	0.25 Mts	
CTN Width	0.14 Mts	CTN Weight	8.69 Kg	6 Pcs



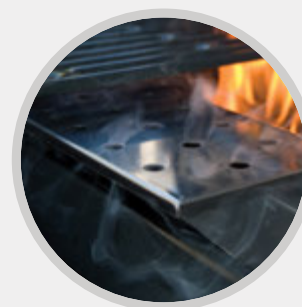
Bull® Cedar Wood Grilling Planks/Set 3			# 24146	
The Cedar wood Grilling Planks are great for fish and infuse food with the delicious flavour of smoked cedar. Set of 3.				
CTN Length	0.24 Mts	CTN Height	0.16 Mts	
CTN Width	0.31 Mts	CTN Weight	3.90 Kg	6 Pcs



Bull® Plank Saver with Side Handles			# 24147	
Stainless Steel Construction, re-usable tray with side easy grip handle, ideal to serve straight from the grill to the table.				
CTN Length	0.38 Mts	CTN Height	0.16 Mts	
CTN Width	0.17 Mts	CTN Weight	2.90 Kg	12 Pcs

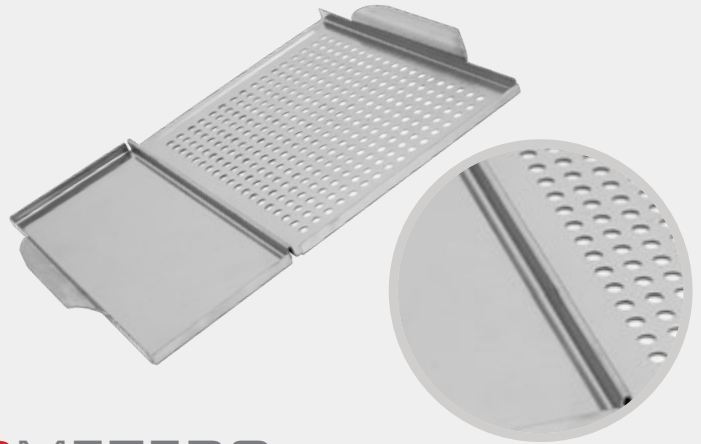


Bull® V - Shaped Smoker Box			# 24112	
Stainless Steel Construction, can be used with Wood Chips for an authentic wood smoke flavour on gas grills.				
CTN Length	0.22 Mts	CTN Height	0.20 Mts	
CTN Width	0.26 Mts	CTN Weight	2.25 Kg	6 Pcs



GRILLING AIDS

Bull® Dual Grilling Grid & Plank Saver			# 24286	
S/Steel Construction. Dual Grilling Grid and Plank Saver gives you the versatility to grill small items that normally fall through the grill grates.				
CTN Length	0.33 Mts	CTN Height	0.11 Mts	
CTN Width	0.45 Mts	CTN Weight	8.10 Kg	6 Pcs



THERMOMETERS

Bull® Instant Digital Thermometer			# 24137	
Instant response with folding probe, locks into multiple angles, switches between Fahrenheit and Celsius.				
CTN Length	0.22 Mts	CTN Height	0.20 Mts	
CTN Width	0.13 Mts	CTN Weight	0.80 Kg	6 Pcs



Bull® Reusable Steak Button			# 24228	
Set of 4				
With Silicon rings, cooks your steak exactly how you want it, temperature setting of rare, medium and well done.				
CTN Length	0.25 Mts	CTN Height	0.12 Mts	
CTN Width	0.17 Mts	CTN Weight	0.91 Kg	6 Pcs



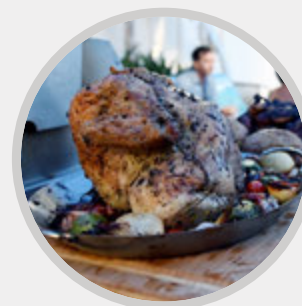
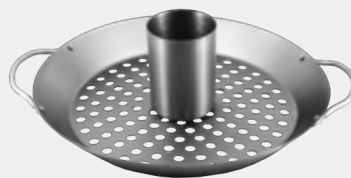
GRILL TOP COOKING

Bull® Traditional Wok			# 24260	
Made to fit Power Burner.				
CTN Length	0.52 Mts	CTN Height	0.44 Mts	
CTN Width	1.01 Mts	CTN Weight	17.0 Kg	4 Pcs

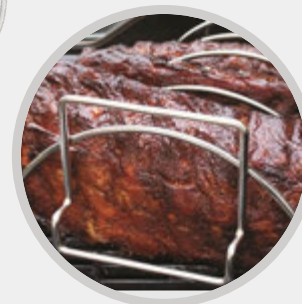
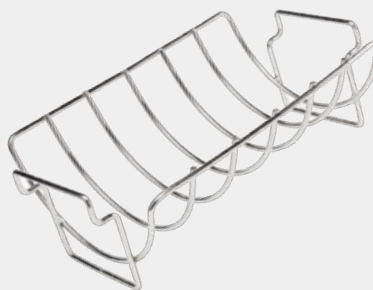


GRILL TOP COOKING

Bull® Convertible Wok/Rack		# 24106		
Convertible Wok / Vertical Poultry Rack				
Stainless Steel Construction with removable Basting Cup.				
CTN Length	0.33 Mts	CTN Height	0.34 Mts	
CTN Width	0.33 Mts	CTN Weight	2.20 Kg	4 Pcs



Bull® Reversible Roasting/Rib Rack		# 24107		
S/ Steel Construction, grills up to six slabs of ribs upright at one time and can grill a whole turkey, chicken or large roast.				
CTN Length	0.42 Mts	CTN Height	0.28 Mts	
CTN Width	0.27 Mts	CTN Weight	4.08 Kg	6 Pcs

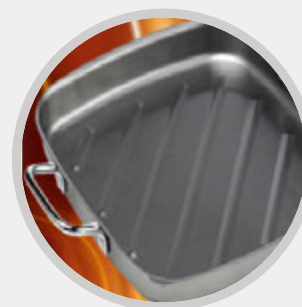


Bull® Chili Pepper Grill Rack & Knife		# 24116		
Stainless Steel Construction, Patented Pepper Corer, holds 18 Peppers. Wood handle knife.				
CTN Length	0.29 Mts	CTN Height	0.19 Mts	
CTN Width	0.31 Mts	CTN Weight	2.89 Kg	6 Pcs



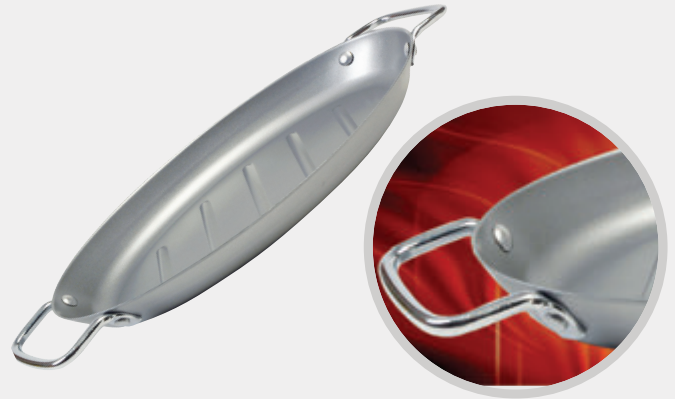
GRILL TOP COOKING

Bull® Non-Stick Square Grill Pan		# 24120		
S/ Steel Construction, silver non-stick finish and indented corners for pouring excess liquids.				
CTN Length	0.41 Mts	CTN Height	0.13 Mts	
CTN Width	0.31 Mts	CTN Weight	4.67 Kg	4 Pcs



GRILL TOP COOKING

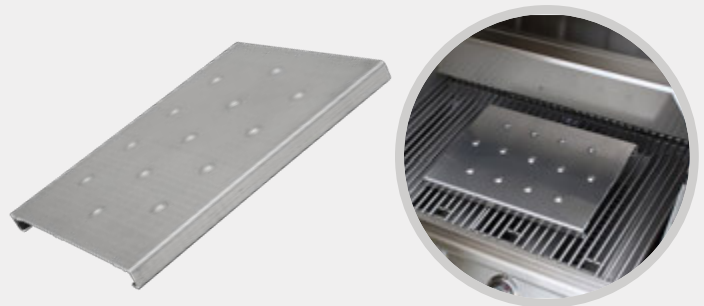
Bull® Non-Stick Oval Grill Pan			# 24121	
S/Steel Construction, silver non-stick finish great for grilling fish, small vegetables, and other delicate foods.				
CTN Length	0.42 Mts	CTN Height	0.15 Mts	
CTN Width	0.23 Mts	CTN Weight	5.61 Kg	6 Pcs



Bull® Sauce Pot & Basting Brush			# 24129	
Pre seasoned Cast Iron Grill Sauce Pot, comes with a Silicon and Stainless Steel Basting Brush.				
CTN Length	0.35 Mts	CTN Height	0.11 Mts	
CTN Width	0.24 Mts	CTN Weight	4.21 Kg	4 Pcs



Bull® BBQ Oven Plate			# 24165	
Stainless Steel Construction, turns your conventional oven into a Confectioner oven to make scrumptious desserts.				
CTN Length	0.42 Mts	CTN Height	0.04 Mts	
CTN Width	0.32 Mts	CTN Weight	2.45 Kg	1 Pcs

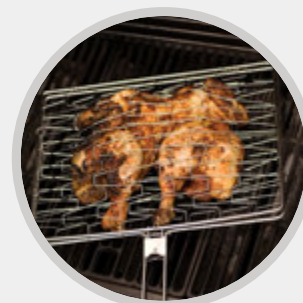


Bull® S/Steel Grill Clips x 4			# 24206	
S/ Steel Construction , Helps to grill individual portions of vegetables with ease and ideal for long type vegetables.				
CTN Length	0.32 Mts	CTN Height	0.13 Mts	
CTN Width	0.26 Mts	CTN Weight	2.60 Kg	6 Pcs



GRILLING BASKETS

Bull® Flexible Grilling Basket		# 24109		
S/Steel Construction, Flexi wire that expands to shape of your food. Great for Chicken, fish and veg, with stay cool handle.				
CTN Length	0.57 Mts	CTN Height	0.12 Mts	
CTN Width	0.43 Mts	CTN Weight	5.59 Kg	6 Pcs

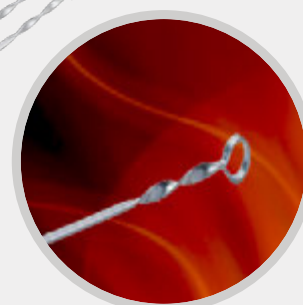


Bull® Stuff-A-Burger Basket & Press		# 24226		
S/Steel Construction, Personalise your burger by stuffing it with your favourite filling and cook to perfection.				
CTN Length	0.54 Mts	CTN Height	0.30 Mts	
CTN Width	0.35 Mts	CTN Weight	5.85 Kg	6 Pcs

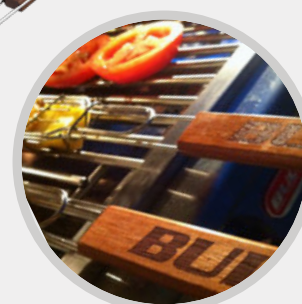


KNOBS & SKEWERS

Bull® Jumbo Diablo Skewer Set x 2 (70cm Long)		# 24280		
S/Steel Construction, designed for the new Bull 117cm Diablo BBQ. For skewering whole Cornish game hens, or large cuts of veg.				
CTN Length	0.11 Mts	CTN Height	0.05 Mts	
CTN Width	0.78 Mts	CTN Weight	0.40 Kg	1 Pcs



Bull® Single Kabob Basket Set x 4		# 24113		
S/Steel Construction, Rosewood handles, grills kabobos without skewering, great for vegetables and chicken.				
CTN Length	0.63 Mts	CTN Height	0.18 Mts	
CTN Width	0.22 Mts	CTN Weight	7.20 Kg	6 Pcs



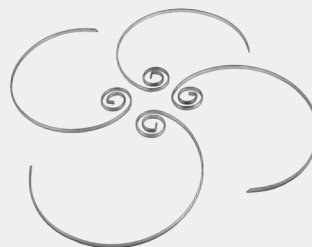
KNOBS & SKEWERS

**Bull® Circle Kabob Skewers
Set x 4**

24119

S/Steel Construction, curved to fit round plates, the unique shape skewers makes for great presentation.

CTN Length	0.44 Mts	CTN Height	0.12 Mts	
CTN Width	0.20 Mts	CTN Weight	1.48 Kg	6 Pcs

**Bull® Double Prong Skewers
Set x 4**

24122

Stainless Steel Construction, wood handles. Extra wide Prong skewers food from slipping and spinning.

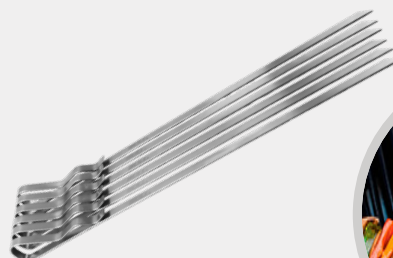
CTN Length	0.44 Mts	CTN Height	0.15 Mts	
CTN Width	0.21 Mts	CTN Weight	2.54 Kg	6 Pcs

**Bull® Signature Skewers Set x 6**

24123

S/Steel Construction, Extra wide skewers keeps food from slipping and spinning.

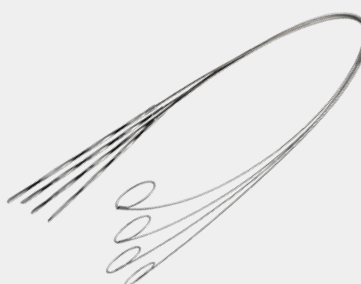
CTN Length	0.49 Mts	CTN Height	0.15 Mts	
CTN Width	0.21 Mts	CTN Weight	3.80 Kg	6 Pcs

**Bull® Flexible Wire Skewers
Set x 4**

24124

S/Steel Construction, flexible design holds more and allows for more effective use of space on the grill.

CTN Length	0.09 Mts	CTN Height	0.12 Mts	
CTN Width	0.24 Mts	CTN Weight	1.00 Kg	12 Pcs



CHARCOAL

Bull® Lump Charcoal		# 66538		
The natural mesquite Bull Lump Charcoal burns longer with more flavour than regular charcoal.				
CTN Length	0.42 Mts	CTN Height	0.55 Mts	
CTN Width	0.16 Mts	CTN Weight	10.0 Kg	1 Pcs



REPAIR & CLEANING TOOLS

Scratch-B-Gone Homeowners Kit		# 02043		
Removes scratches, rust, heat scorch, and stains from your S/ Steel Barbecue, Sink and Appliance. Residential-size kit.				
CTN Length	0.46 Mts	CTN Height	0.35 Mts	
CTN Width	0.37 Mts	CTN Weight	3.10 Kg	10 Pcs



REPAIR & CLEANING TOOLS

60 cm Grill Grease Foil Tray Liners		# 24267		
Pack of 3, fits Steer and Plancha Grill. Disposable and easy to install, (Size 41 x 38cm).				
CTN Length	0.46 Mts	CTN Height	0.90 Mts	
CTN Width	0.48 Mts	CTN Weight	6.50 Kg	48 Pcs



76 cm Grill Grease Foil Tray Liners		# 24255		
Pack of 3, fits most Grills such as BULL Angus, Lonestar Select & Outlaw Grills. Disposable and easy to install, (Size 53 x 39cm).				
CTN Length	0.59 Mts	CTN Height	0.22 Mts	
CTN Width	0.44 Mts	CTN Weight	2.91 Kg	12 Pcs



REPAIR & CLEANING TOOLS

97 cm Grill Grease Foil Tray Liners

24256

Pack of 3, fits 97cm Grills and perfectly fits the BULL Brahma Grill.
Disposable and easy to install, (Size 72 x 39cm).

CTN Length	0.79 Mts	CTN Height	0.22 Mts	
CTN Width	0.44 Mts	CTN Weight	2.55 Kg	12 Pcs



Bull® Long Handle Spiral Brush

24236

With 2 Hand Grip - Colour Red.

CTN Length	0.44 Mts	CTN Height	0.17 Mts	
CTN Width	0.27 Mts	CTN Weight	3.40 Kg	12 Pcs

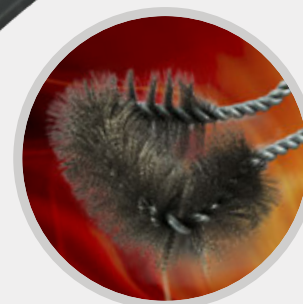


Bull® Long Handle Spiral Brush

24237

Colour Grey & Red.

CTN Length	0.44 Mts	CTN Height	0.12 Mts	
CTN Width	0.26 Mts	CTN Weight	2.13 Kg	12 Pcs



Bull® Dual Handle Monster Brush

24238

Spiral Head with replaceable head #24239.

CTN Length	0.56 Mts	CTN Height	0.24 Mts	
CTN Width	0.18 Mts	CTN Weight	3.00 Kg	6 Pcs

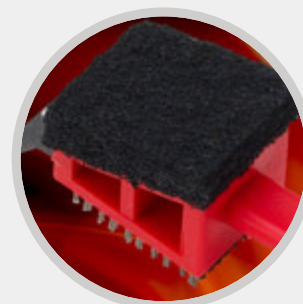


REPAIR & CLEANING TOOLS

Bull® Dual Handle Mega Monster Brush			# 24141	
TDual Handle Mega Monster Brush has stainless steel bristles, a grill scraper, and a hook for hanging.				
CTN Length	0.57 Mts	CTN Height	0.23 Mts	
CTN Width	0.25 Mts	CTN Weight	4.20 Kg	6 Pcs



Bull® Plastic Brush with Long Handle			# 24139	
Two in One Plastic Handle Brush with S/Steel Bristle and Nylon Grid scraper. (Image viewing brush on both sides).				
CTN Length	0.49 Mts	CTN Height	0.15 Mts	
CTN Width	0.24 Mts	CTN Weight	3.96 Kg	12 Pcs

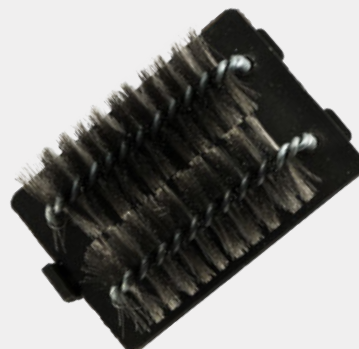


Grill Brush Replacement Heads

Bull® Replacement Head			# 24235	
Big Head Grill Brush Replacement Head for #24103 & #24218.				
CTN Length	0.13 Mts	CTN Height	0.12 Mts	
CTN Width	0.23 Mts	CTN Weight	1.00 Kg	6 Pcs



Bull® Replacement Head			# 24239	
Dual Handle Spiral Head Monster Brush Replacement for #24238.				
CTN Length	0.25 Mts	CTN Height	0.15 Mts	
CTN Width	0.17 Mts	CTN Weight	1.72 Kg	12 Pcs



TUMBLERS

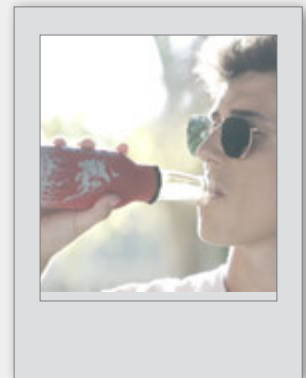
592ml. ReliaBull Tumbler		# 12000		
Stainless steel tumbler, Vacuum Insulated technology, keeps beverages hot or cold for an extremely long amount of time.				
CTN Length	0.20 Mts	CTN Height	0.18 Mts	
CTN Width	0.02 Mts	CTN Weight	1.50 Kg	4 Pcs



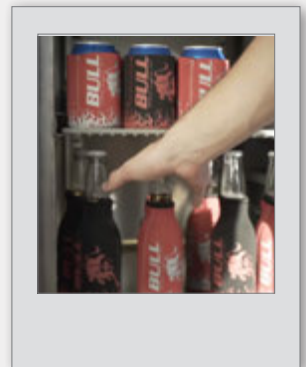
887ml. ReliaBull Tumbler		# 12001		
XL Stainless steel tumbler, Vacuum Insulated technology, keeps beverages hot or cold for an extremely long amount of time.				
CTN Length	0.22 Mts	CTN Height	0.21 Mts	
CTN Width	0.22 Mts	CTN Weight	2.00 Kg	4 Pcs



Neoprene Bottle Koozies		#27001 / #27002
Keep your bottled drinks cool while you cook.		
Available in red #27001 or black #27002.		



Neoprene Can Koozies		# 27003 / #27004
Keep your canned drinks cool while you cook.		
Available in red #27003 or black #27004.		



**The objective of Bull is to provide the
"Ultimate Outdoor Experience"**



We produce a quality product for more than half the price of our competitors. We can achieve this because our focus is only on the barbecue business.

By focusing on our core element, we can guarantee continuous improvement in quality and performance, both in our products and operations.

We work closely with designers, builders and contractors to make sure that our products are in line with the market requirements.

visit bullbbq.eu or contact us at (356) 99 79 20 77
The Brand Choice for Commercial and Professional BBQ's

email: info@bullbbq.eu - web: www.bullbbq.eu
Zamco Building, Mill Street, Qomi - QRM 3103 - Malta - Tel: (+356) 99 79 20 77

BULL
EUROPE 

©2018 Bull Outdoor Products. All Rights Reserved.

R180727A